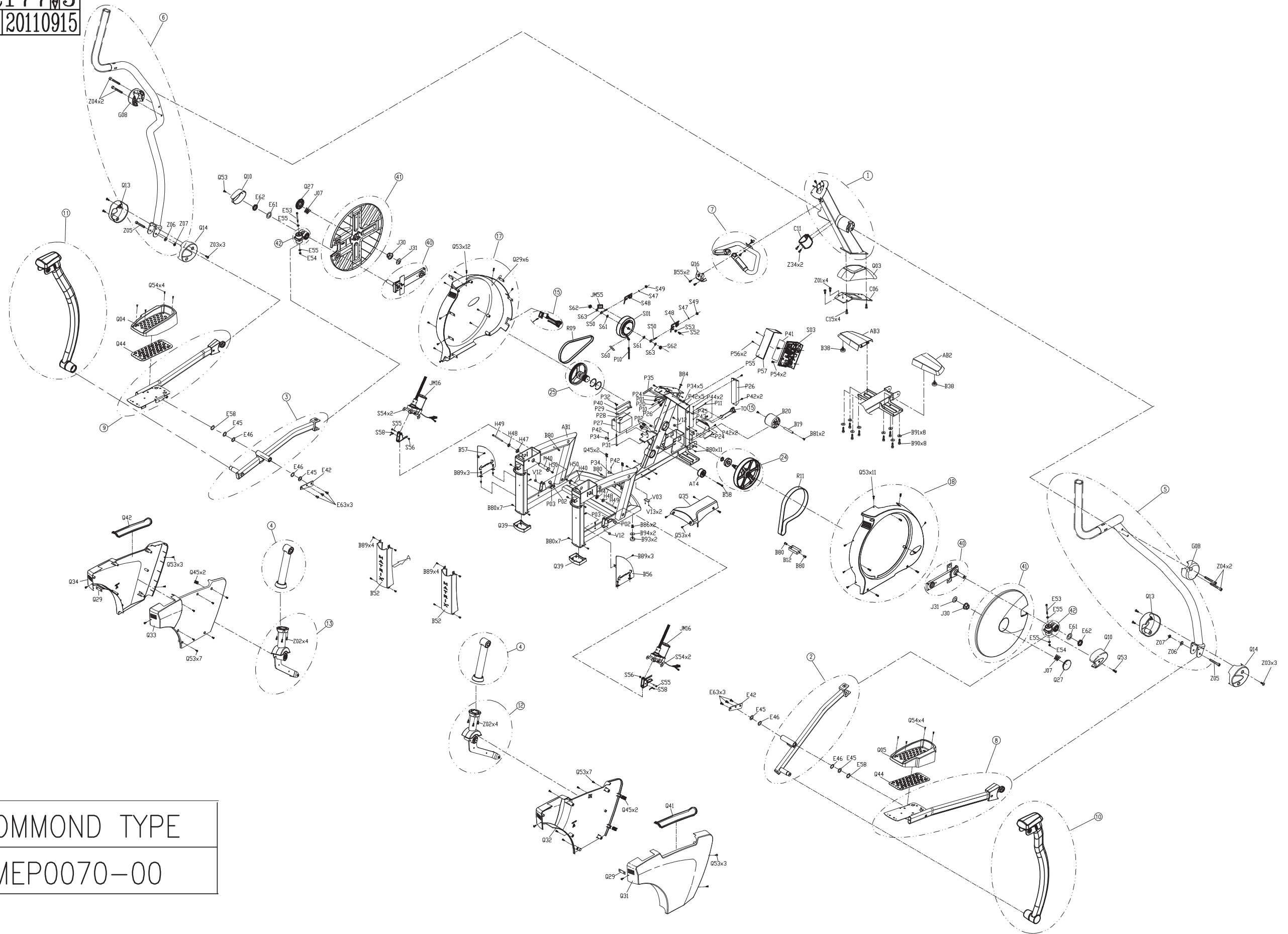
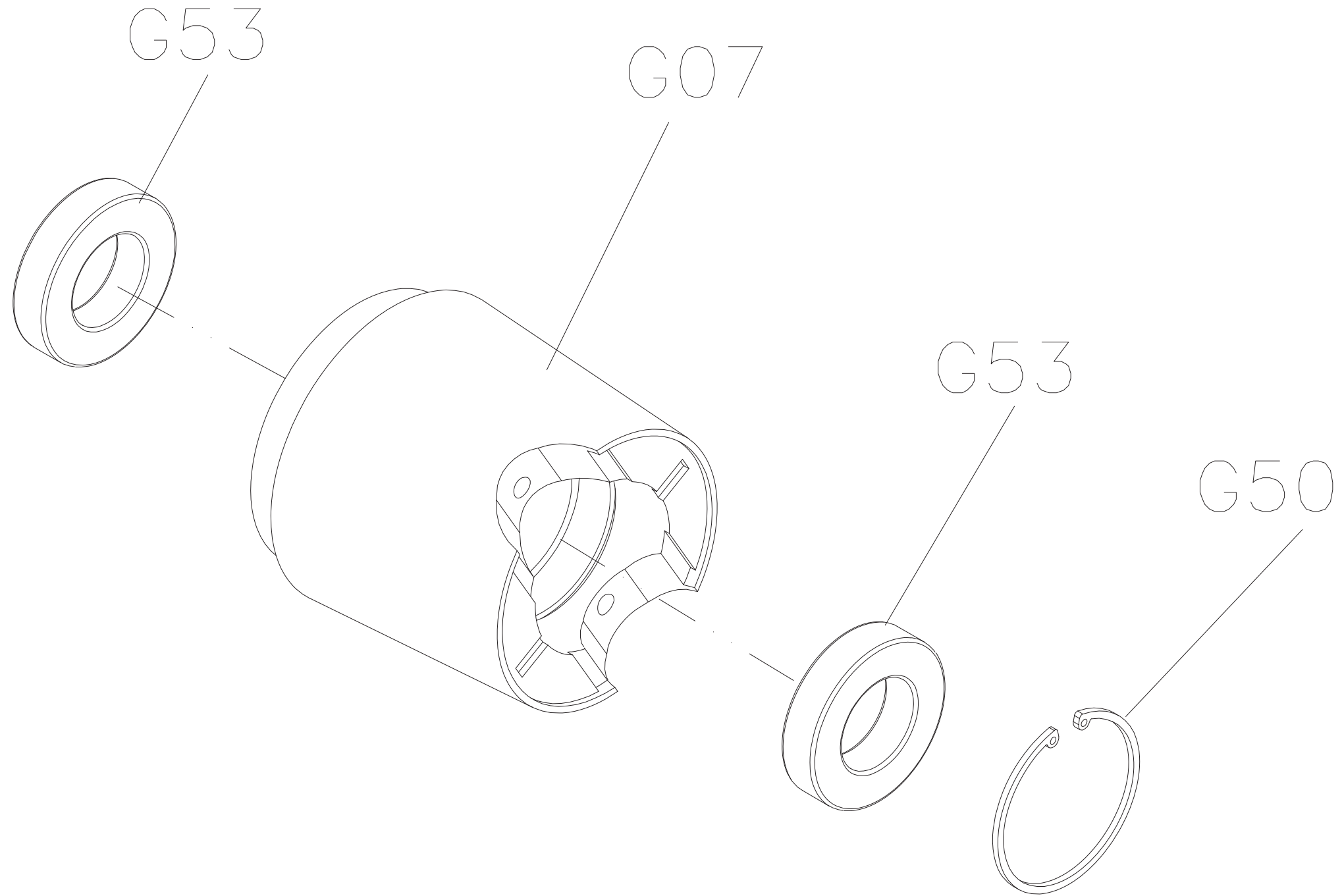


DRAWING NO	EP79-A04
PART NAME	PART EXPLODE DIAGRAM
PART NO	0000092177 J
APPROVE	Tsaijw DATE 20110915

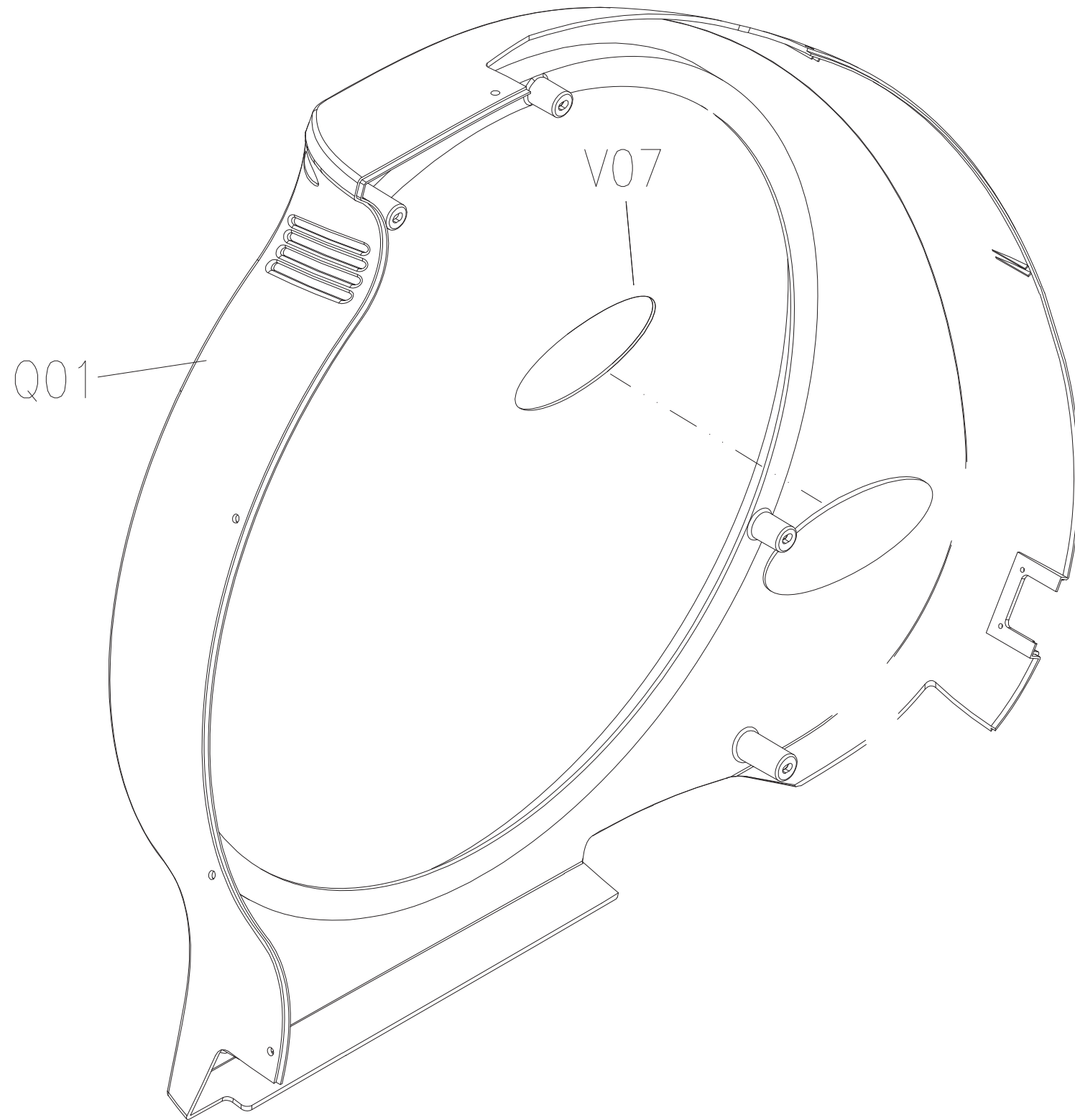


COMMOND TYPE
MEP0070-00

DRAWING NO	EP81-AG15		
PART NAME	ROTATION HOUSING ASSEMBLY SET		
PART NO	0000087749 <sup>R</sup> <sub>B</sub>		
APPROVE	tsaijw	DATE	20101227

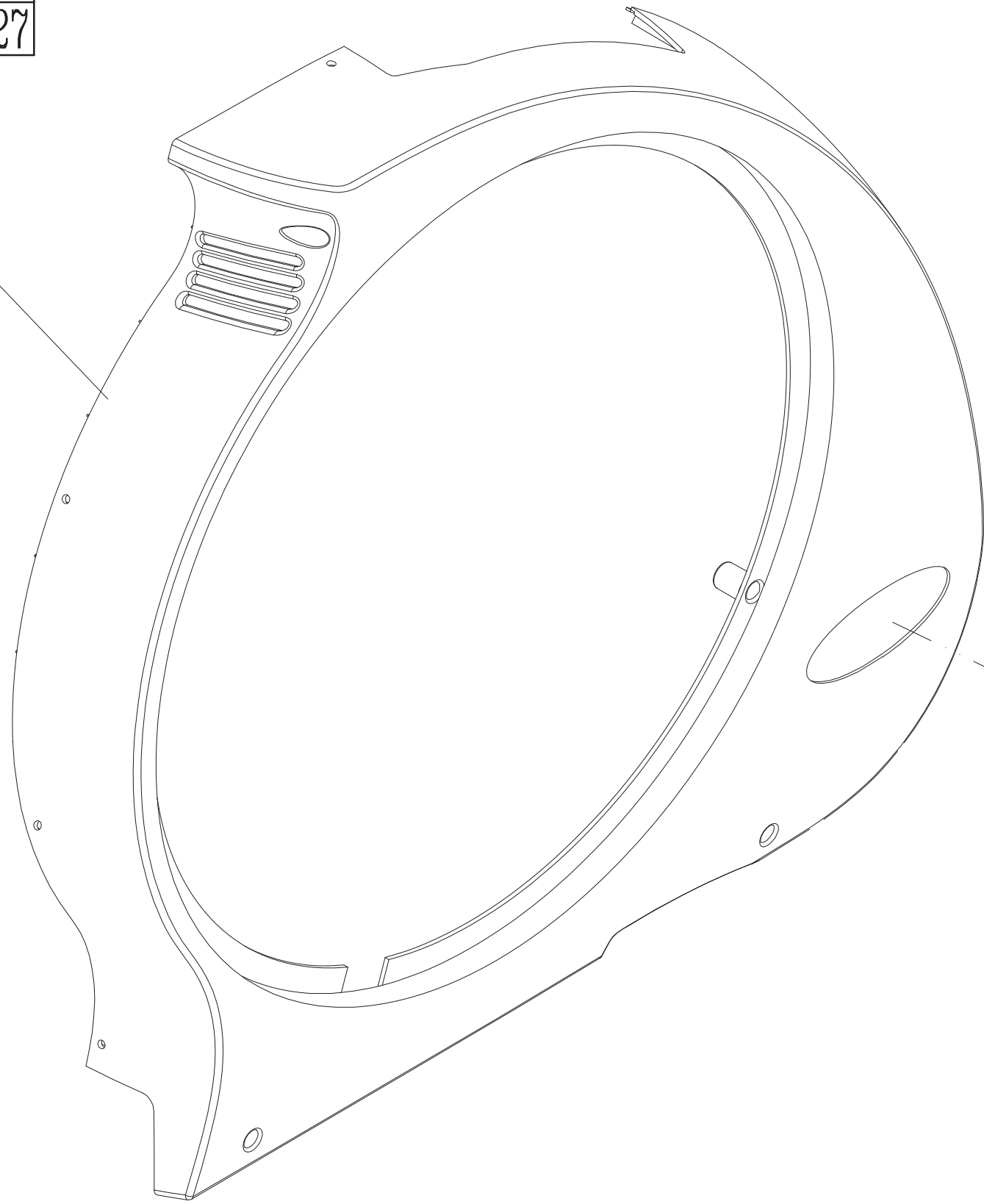


DRAWING NO	EP81-AQ1		
PART NAME	LEFT SIDE COVER SET		
PART NO	0000087828 <sup>R</sup> <sub>D</sub>		
APPROVE	tsaijw	DATE	20101227



DRAWING NO	EP81-AQ2		
PART NAME	RIGHT SIDE COVER SET		
PART NO	0000087829 <sup>R</sup> <sub>D</sub>		
APPROVE	tsaijw	DATE	20101227

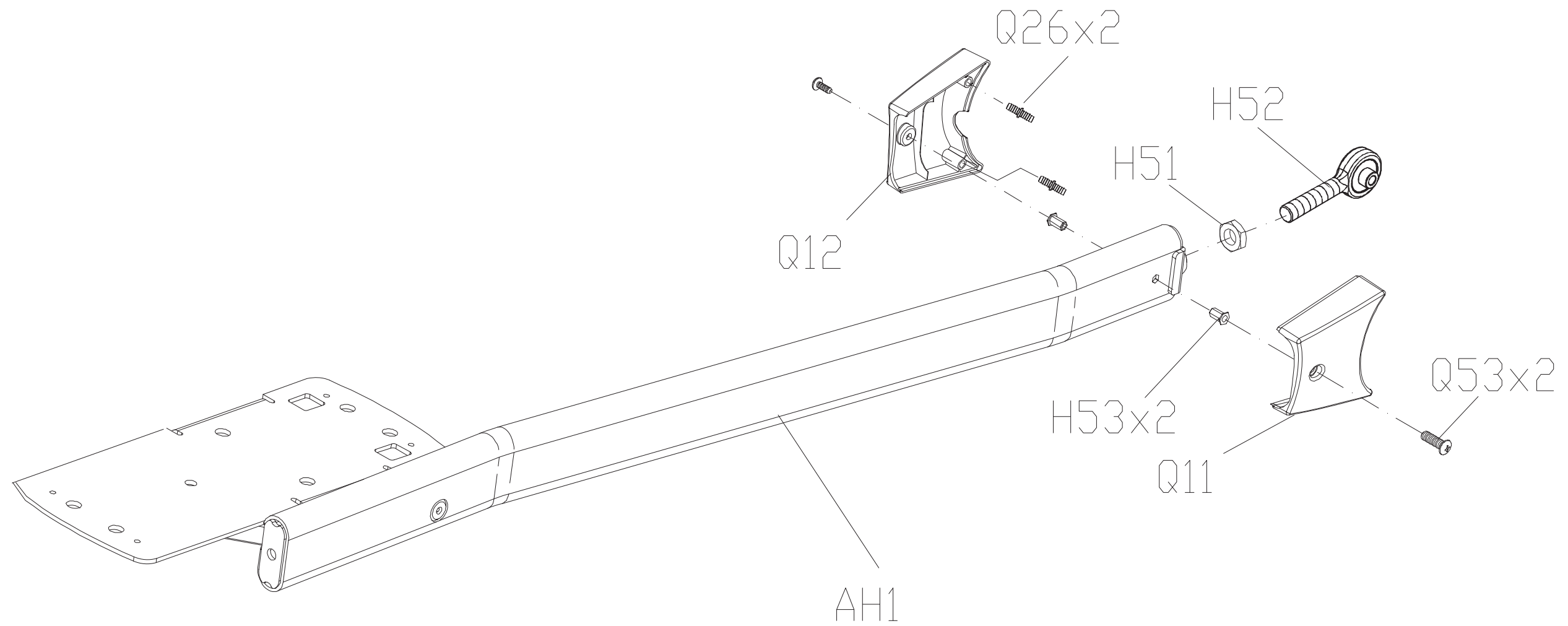
Q02



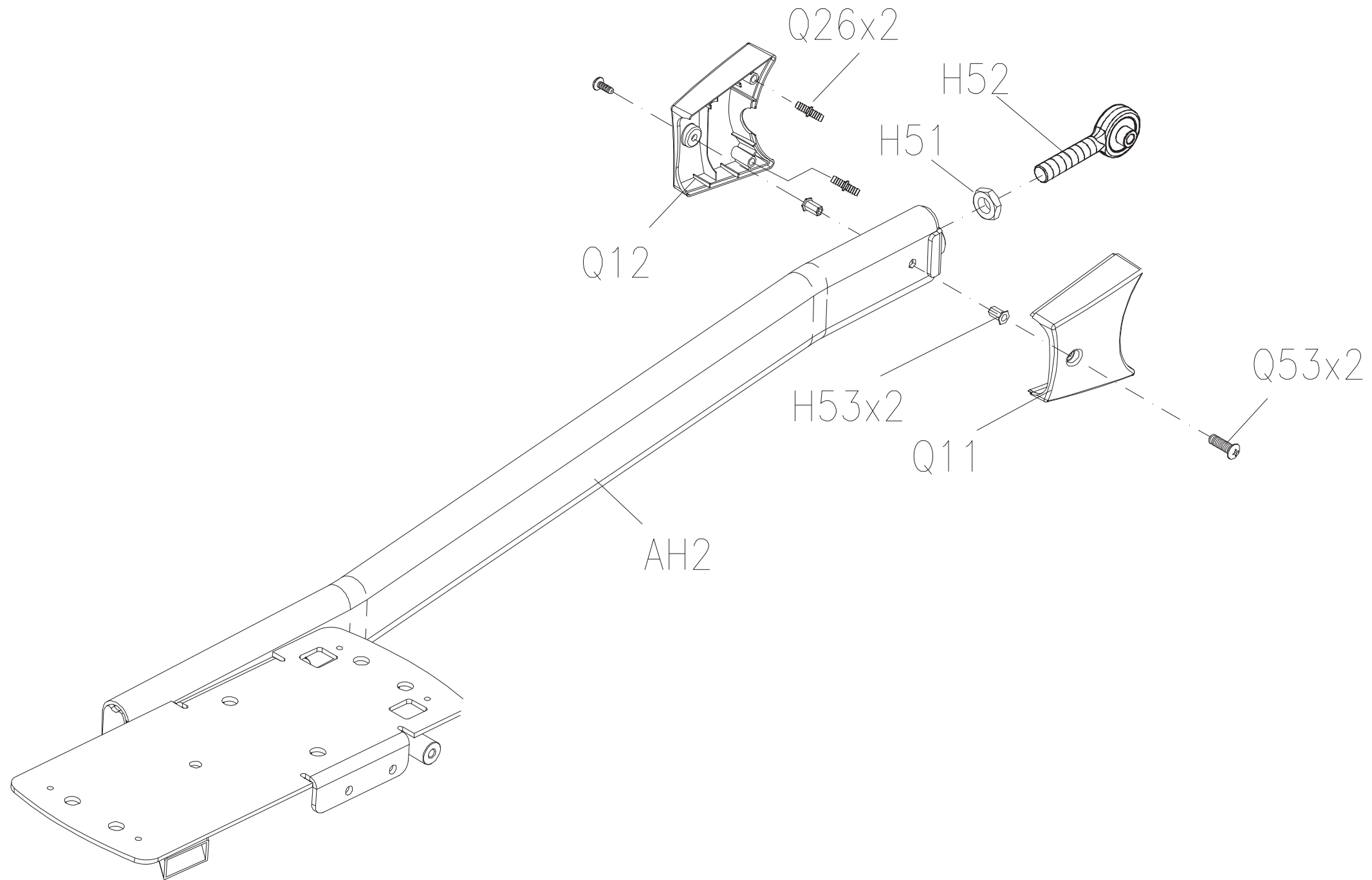
V07



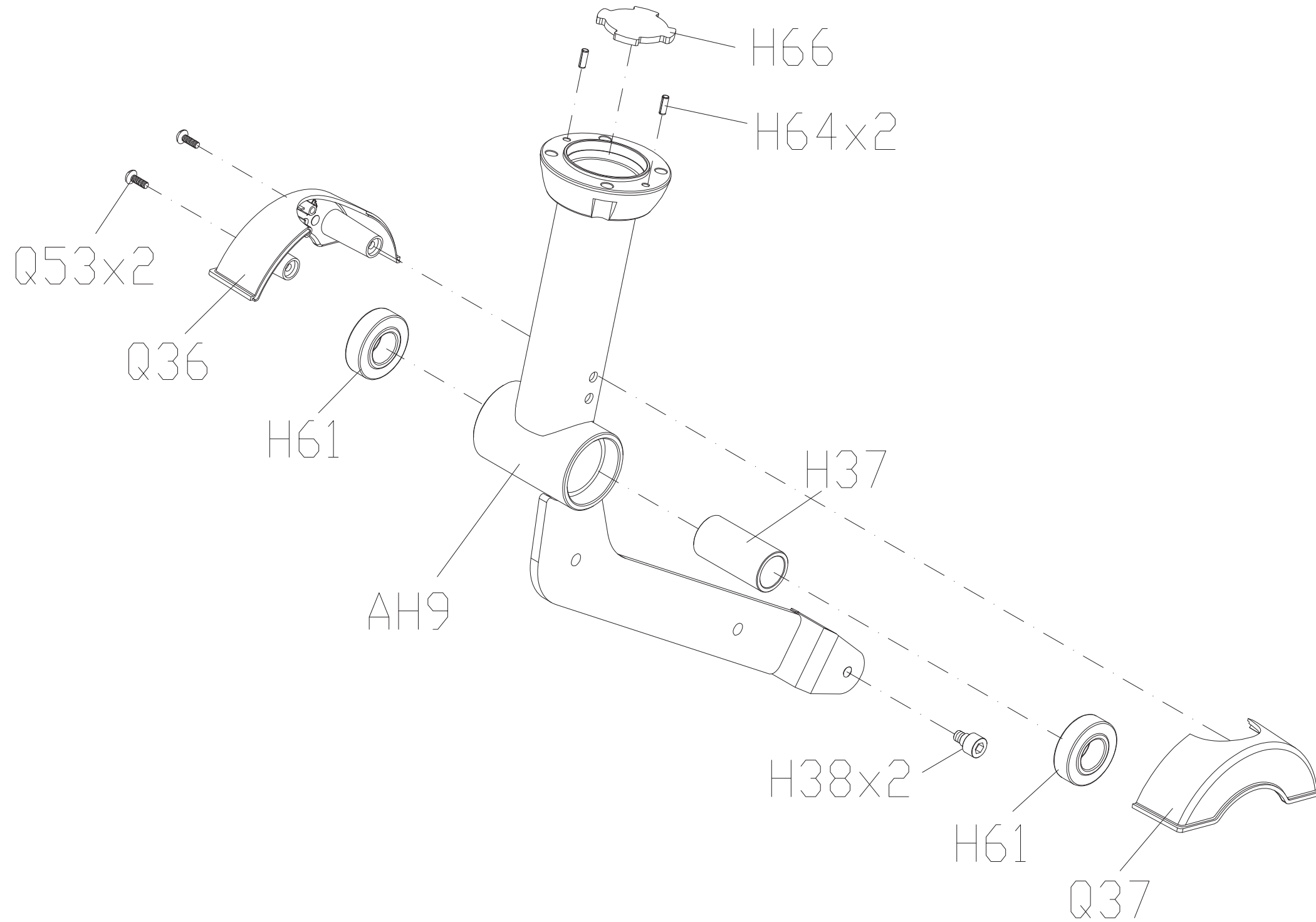
DRAWING NO	EP84-AH3		
PART NAME	RIGHT LOWER LINK ARM SET		
PART NO	0000088065 RE		
APPROVE	S.T.C	DATE	20110303



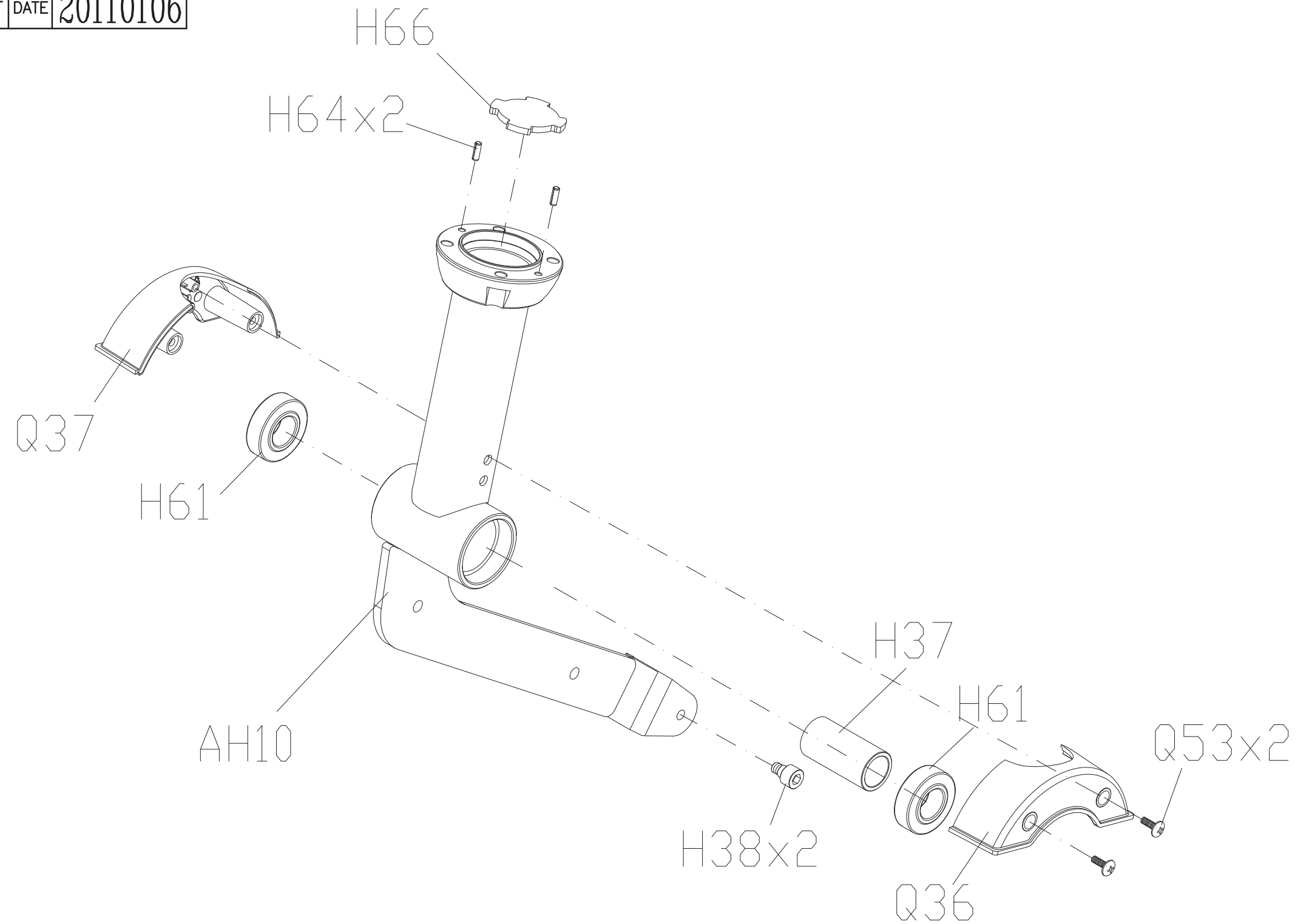
DRAWING NO	EP84-AH4		
PART NAME	LEFT LOWER LINK ARM SET		
PART NO	0000088066 R/D		
APPROVE	S.T.C	DATE	20110303



DRAWING NO	EP84-AH14		
PART NAME	RIGHT LOWER ADJUSTMENT ARM SET		
PART NO	0000088071 <sup>REV</sup> D		
APPROVE	tsaijw	DATE	20110117

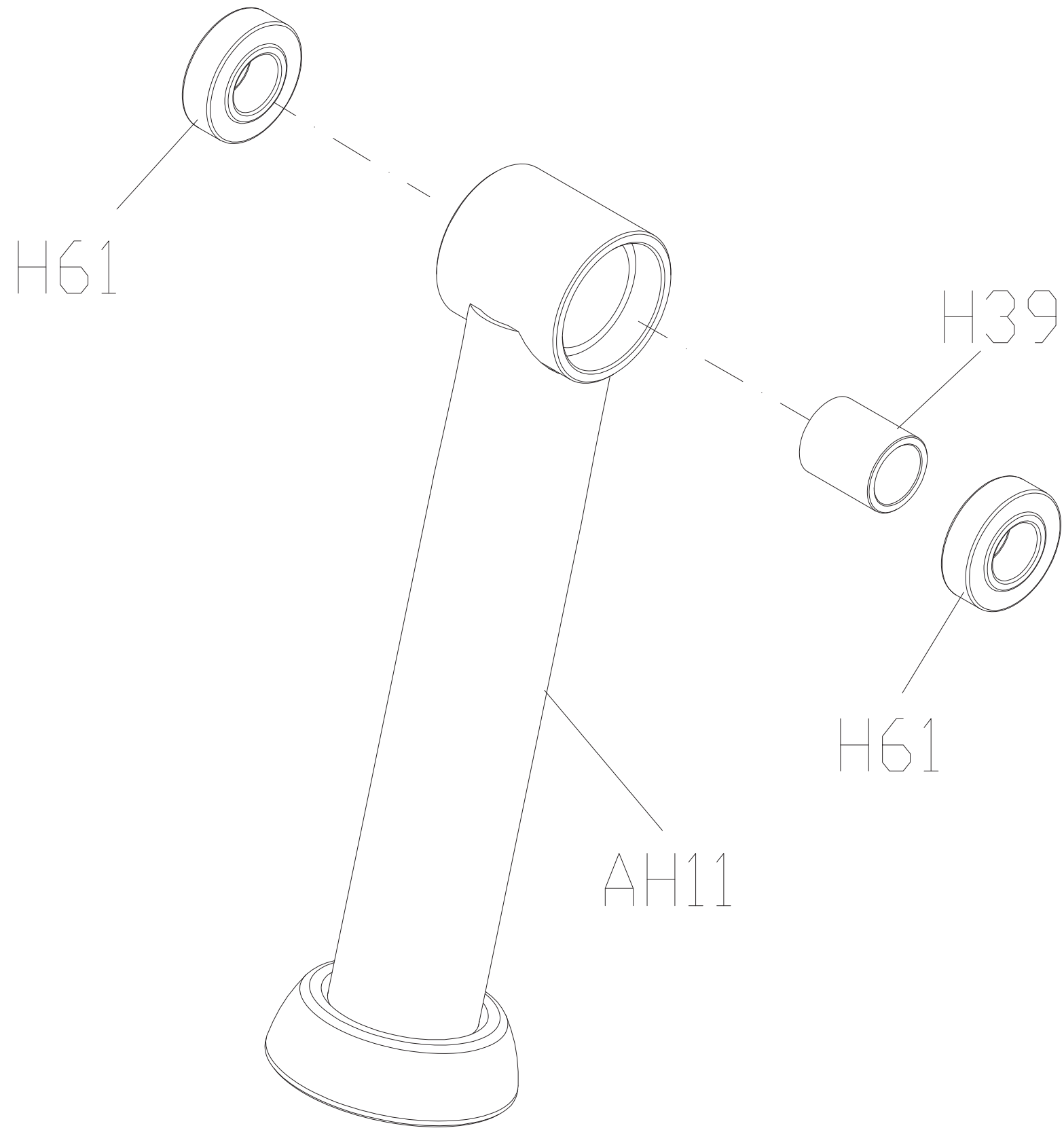


DRAWING NO	EP84-AH15		
PART NAME	LEFT LOWER ADJUSTMENT ARM SET		
PART NO	0000088072 <sup>REV</sup> D		
APPROVE	tsaijw	DATE	20110106

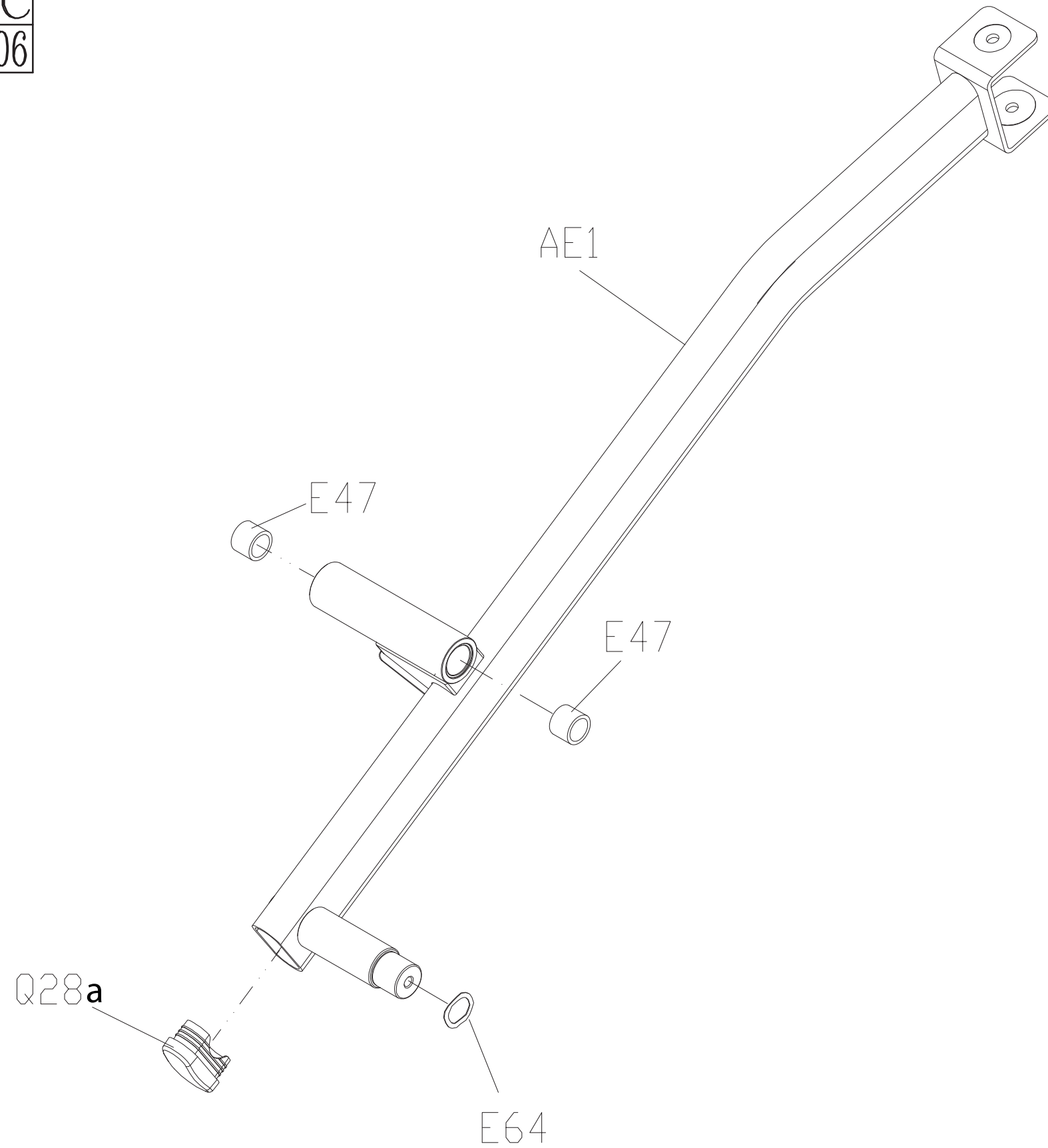




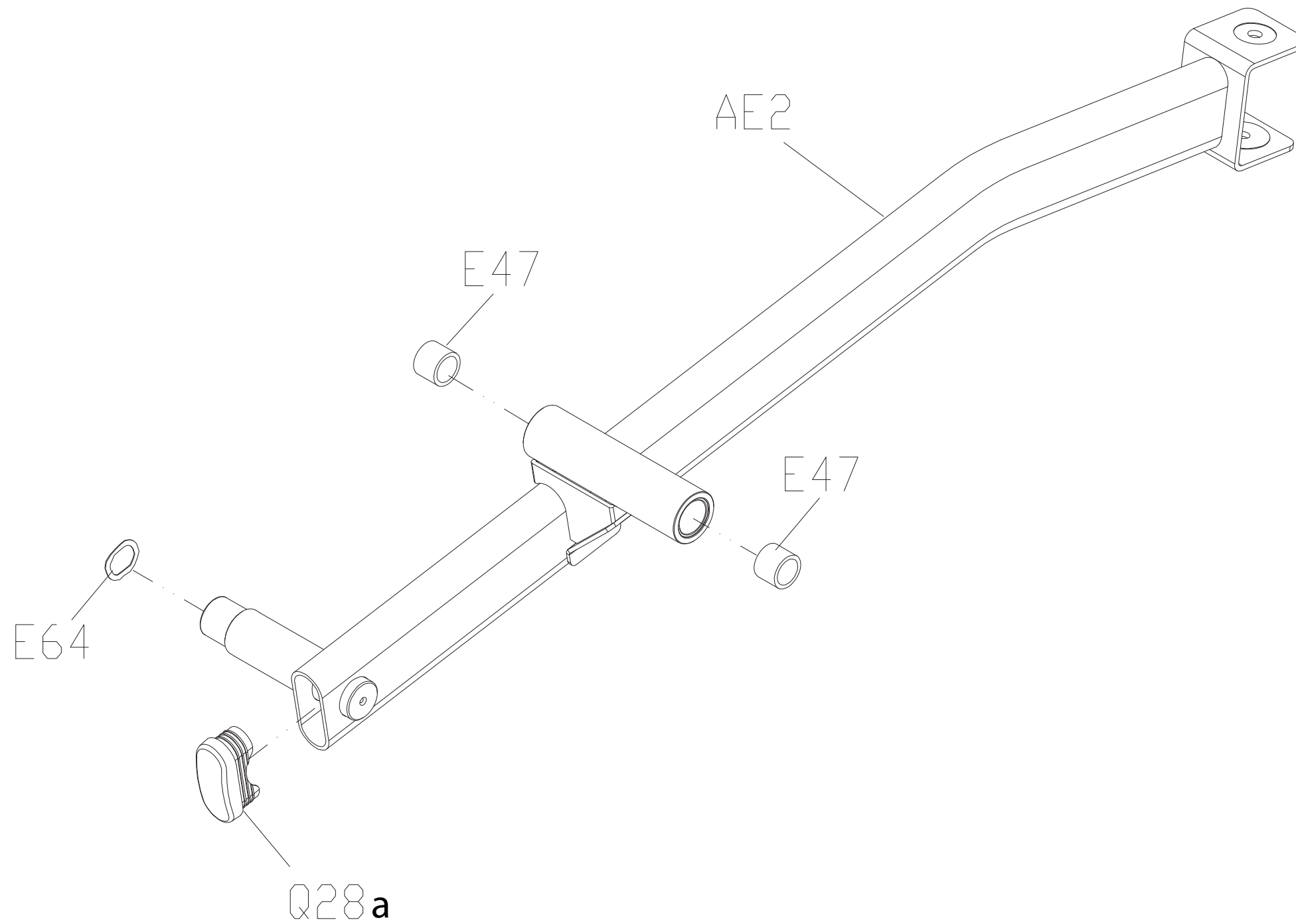
DRAWING NO	EP84-AH16		
PART NAME	UPPER ADJUSTMENT ARM SET		
PART NO	0000088073 <sup>R</sup> <sub>D</sub>		
APPROVE	tsaijw	DATE	20110117



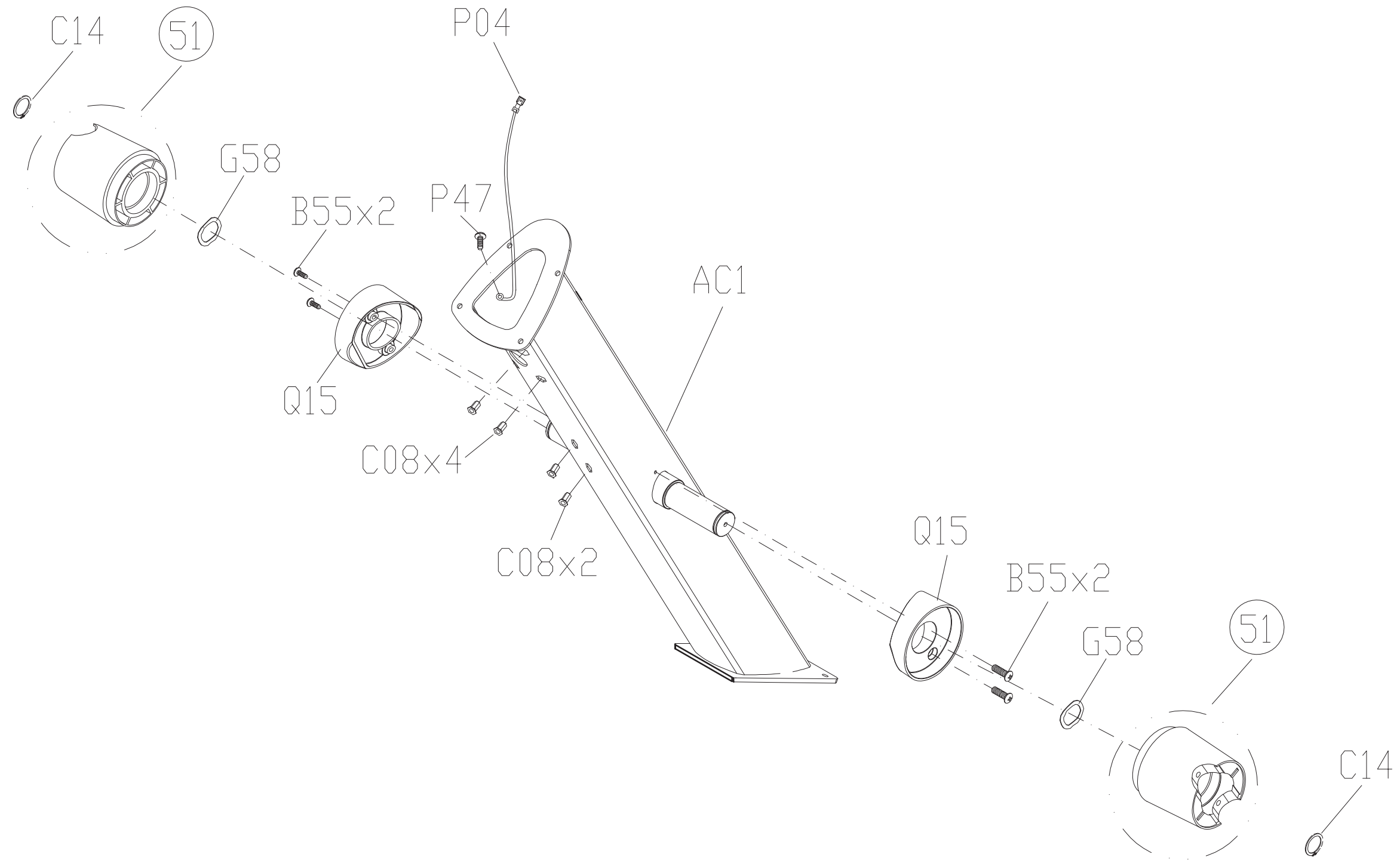
DRAWING NO	EP84-AE6		
PART NAME	RIGHT PEDAL ARM SET		
PART NO	0000088090 <sup>REV</sup> C		
APPROVE	tsaijw	DATE	20110106



DRAWING NO	EP84-AE7		
PART NAME	LEFT PEDAL ARM SET		
PART NO	0000088091 <sup>R</sup> <sub>REV</sub> C		
APPROVE	tsaijw	DATE	20110106

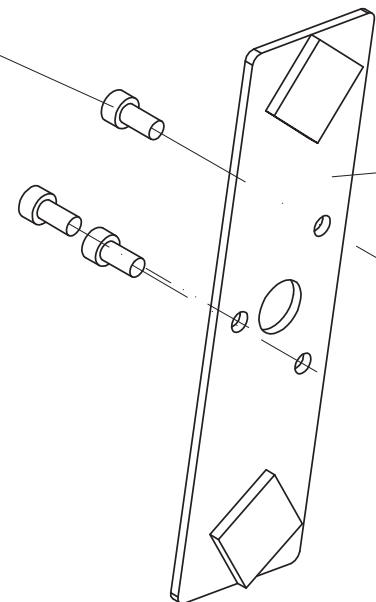


DRAWING NO	EP84-AC2		
PART NAME	CONSOLE MAST SET		
PART NO	0000090655 <sup>R</sup> <sub>D</sub>		
APPROVE	tsaijw	DATE	20110117



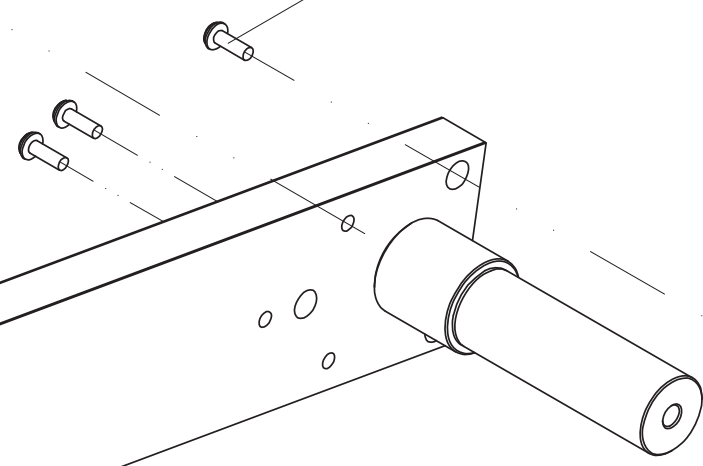
DRAWING NO	EP79-AJ11		
PART NAME	CRANK SET		
PART NO	0000092271 <sup>R</sup> <sub>REV</sub> C		
APPROVE	tsaijw	DATE	20110103

J33x3



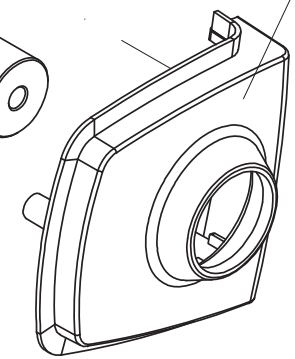
AJ5

J29ax3

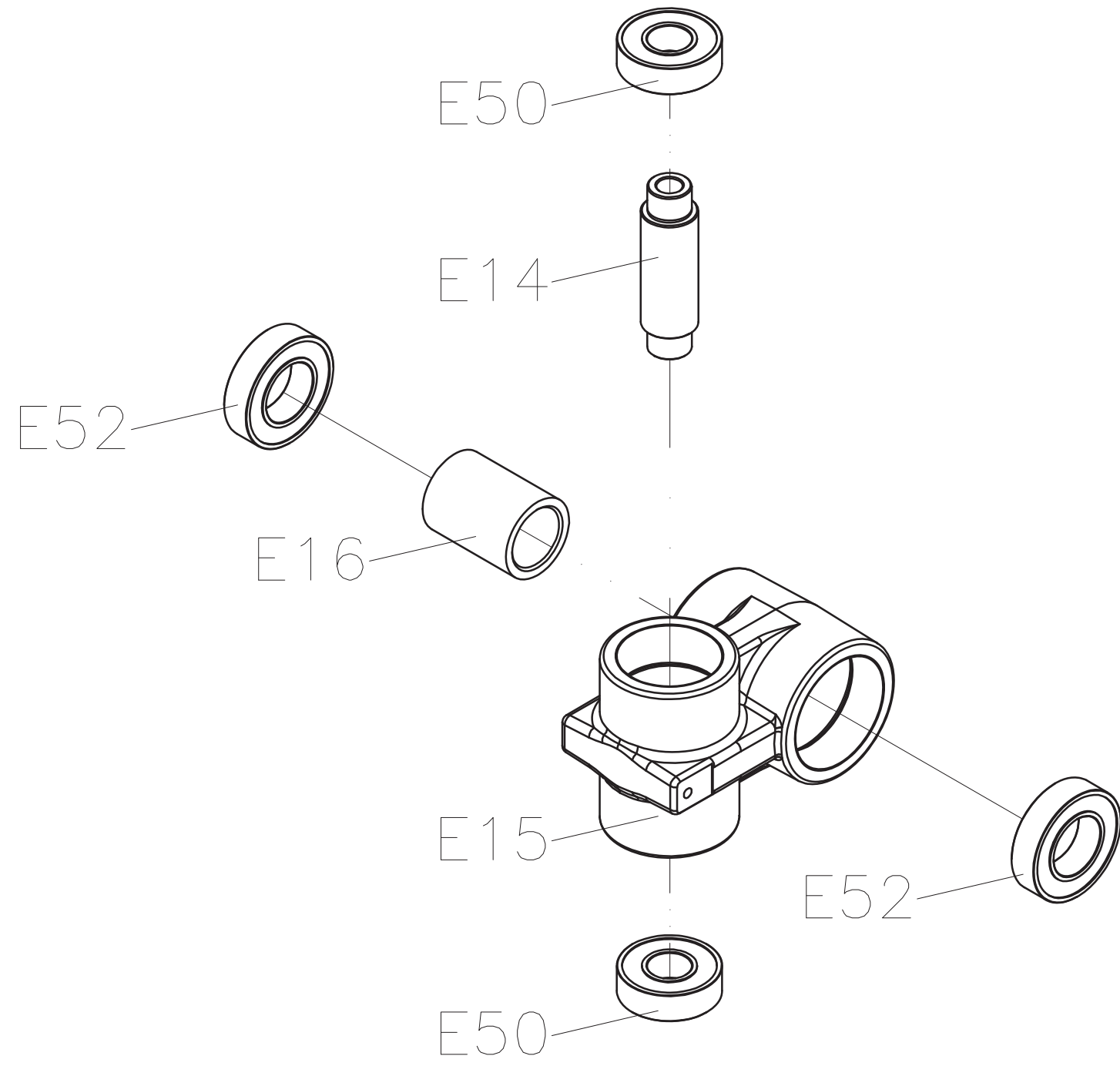


AJ4

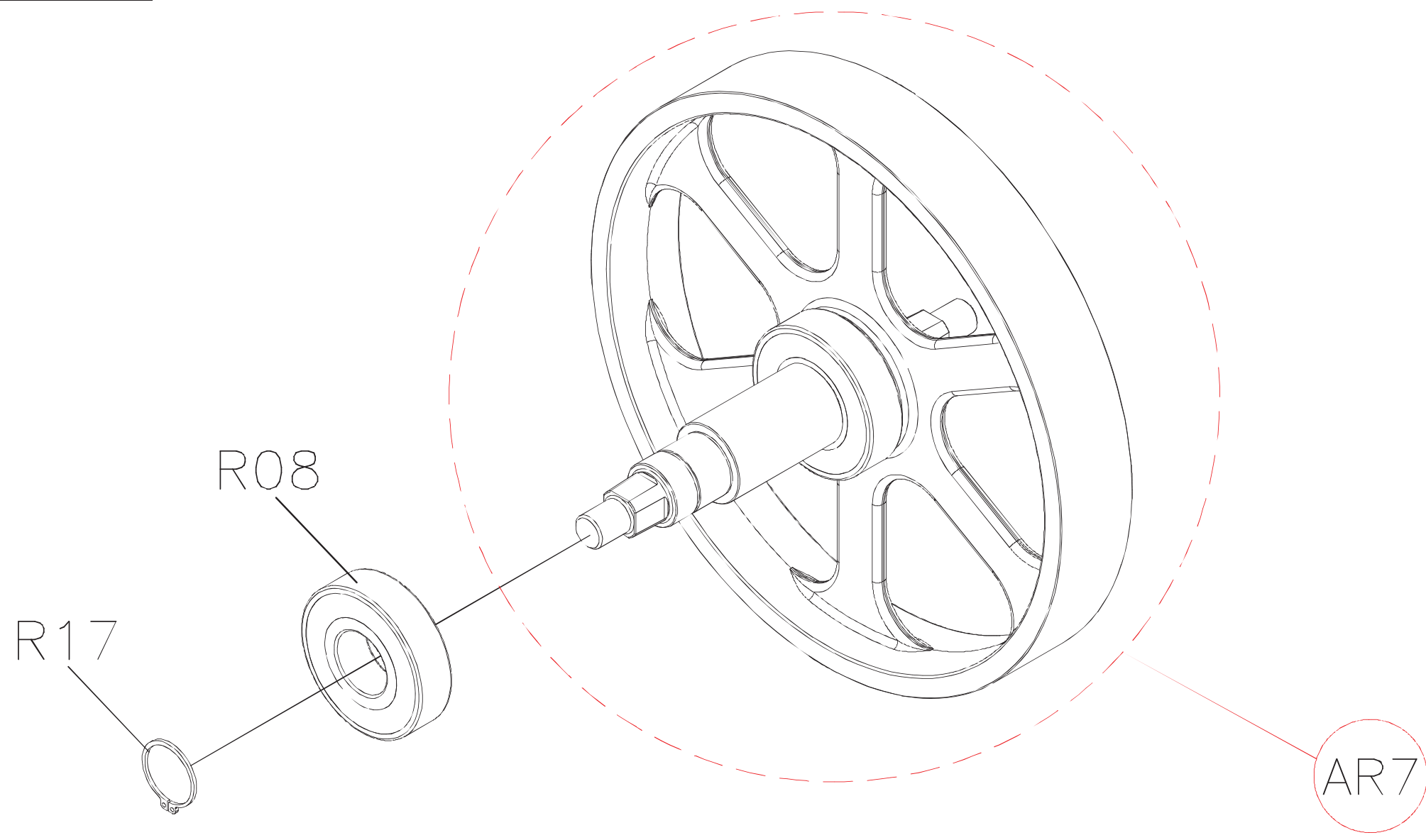
Q28b



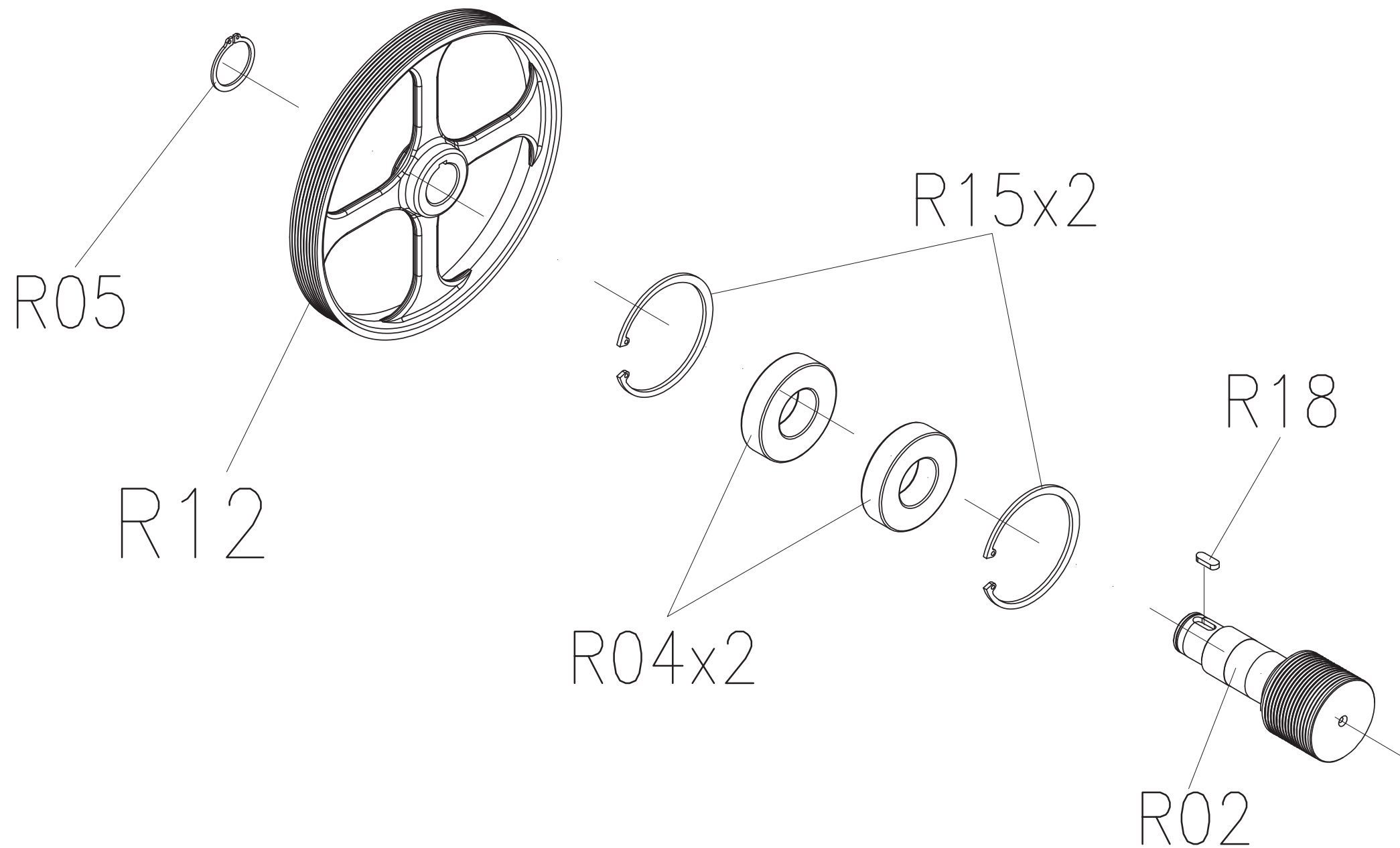
DRAWING NO	EP79-AE5		
PART NAME	CRANK PIN SLEEVE SET		
PART NO	0000092274 <sup>R</sup> / <sub>V</sub> C		
APPROVE	S.T.C	DATE	112511



DRAWING NO	EP79-AR5		
PART NAME	DRIVE AXLE SET		
PART NO	0000092276	REV	B
APPROVE	S.T.C	DATE	20160217

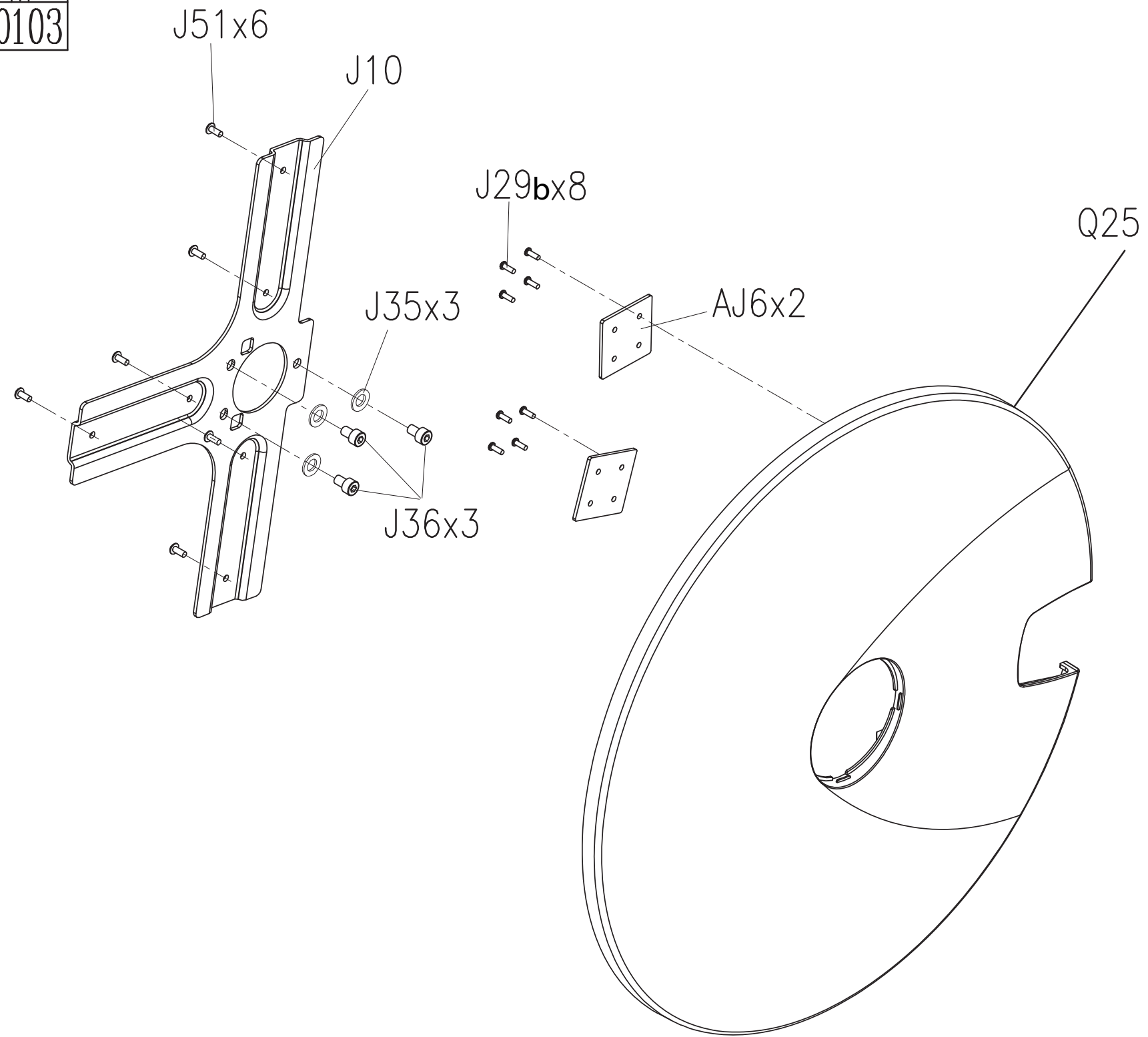


DRAWING NO 圖號	EP79-AR6
PART NAME(CH) 零件名稱(中文)	皮帶輪主軸組
PART NAME(EN) 零件名稱(英文)	AXLE;PULLEY
SAP PART NO SAP料號	0000092277

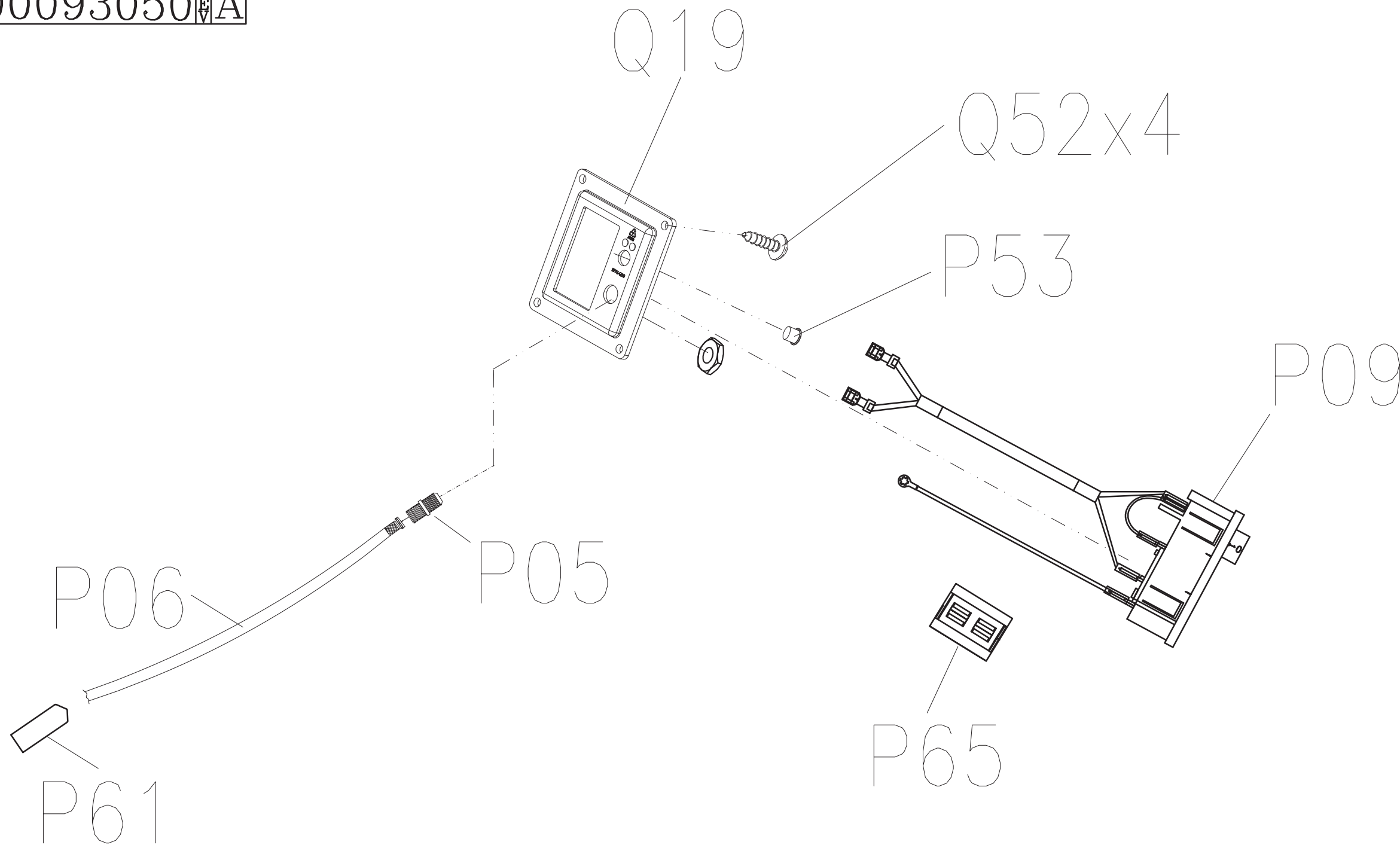




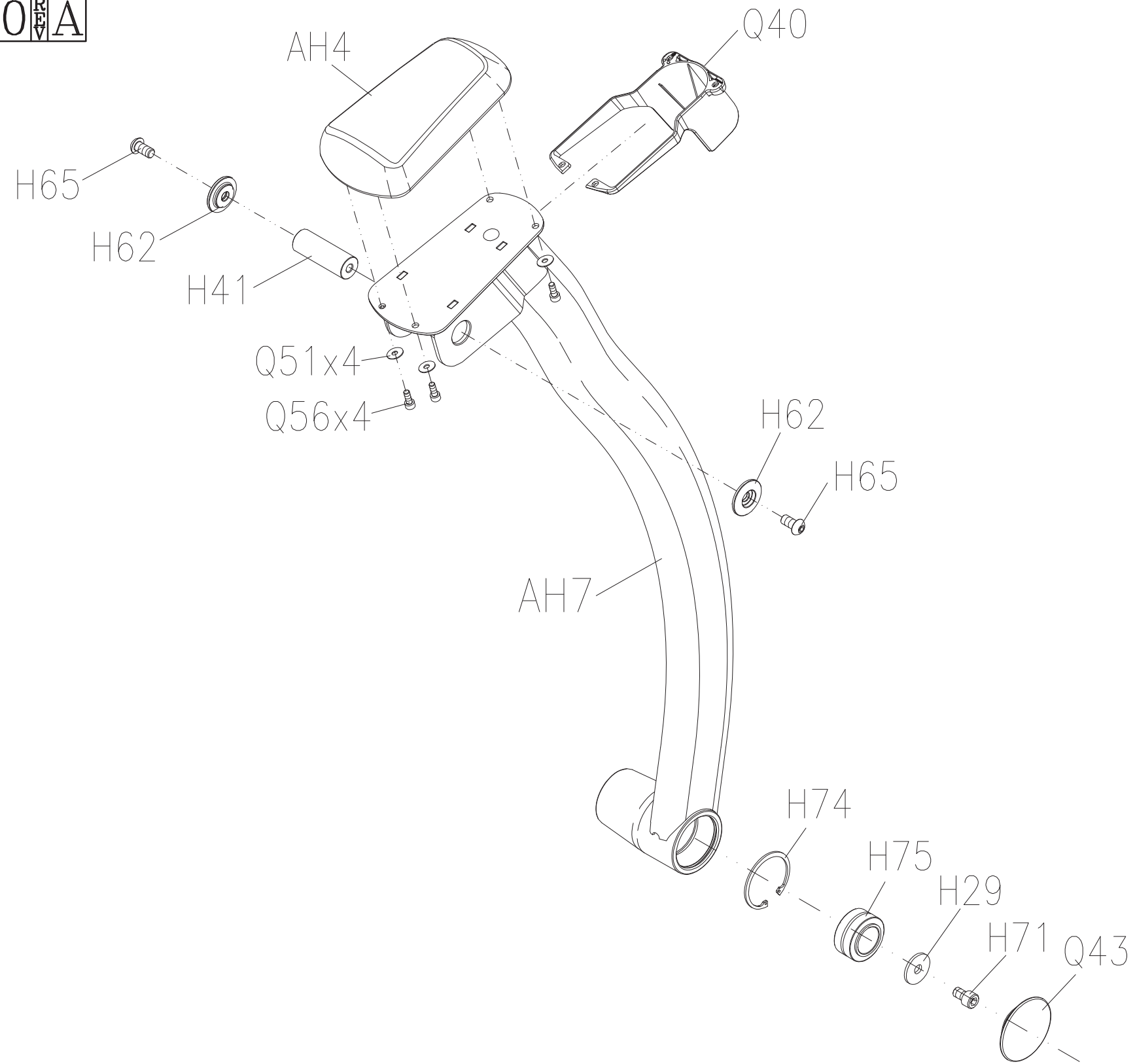
DRAWING NO	EP79-AJ12		
PART NAME	ROUND DISK SET		
PART NO	0000092280 <sup>R</sup> <sub>B</sub>		
APPROVE	tsaijw	DATE	20110103



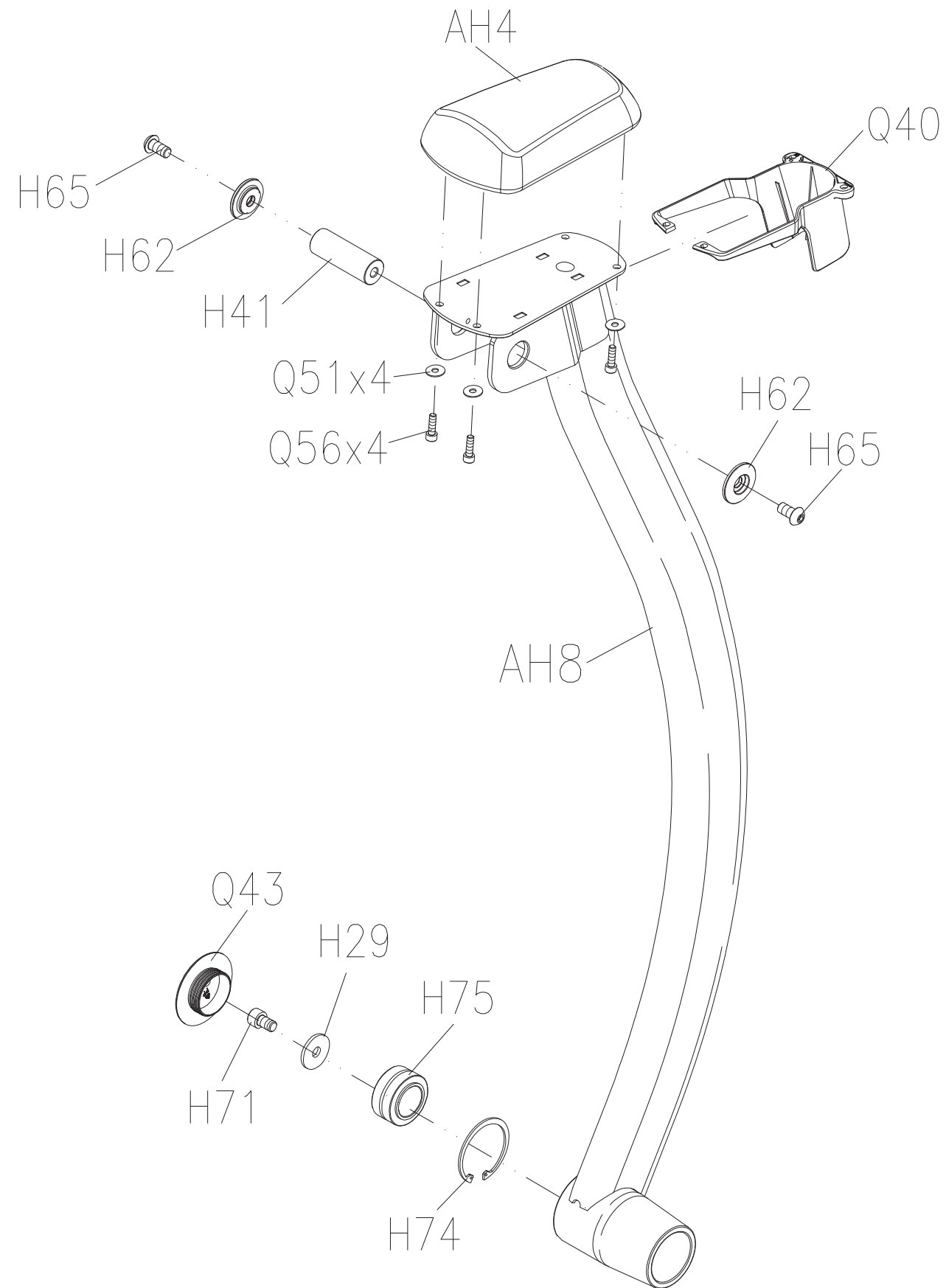
DRAWING NO 圖 號	EP79-AP15
PART NAME(CH) 零件名稱(中文)	固定片組;E-PORT
PART NAME(EN) 零件名稱(英文)	E-PORT FIX PLATE SET
SAP PART NO SAP料號	0000093050 <span style="border: 1px solid black; padding: 2px;">REV</span> A



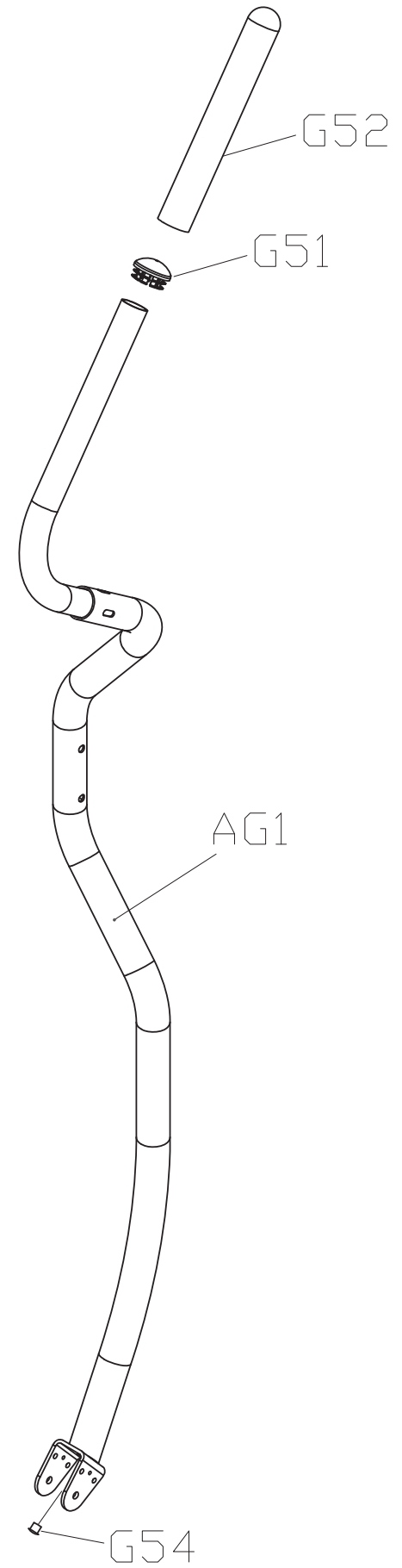
DRAWING NO 圖號	EP79-AH12
PART NAME(CH) 零件名稱(中文)	右擺動臂組
PART NAME(EN) 零件名稱(英文)	RIGHT ADJUSTMENT ARM SET
SAP PART NO SAP料號	0000093890  A



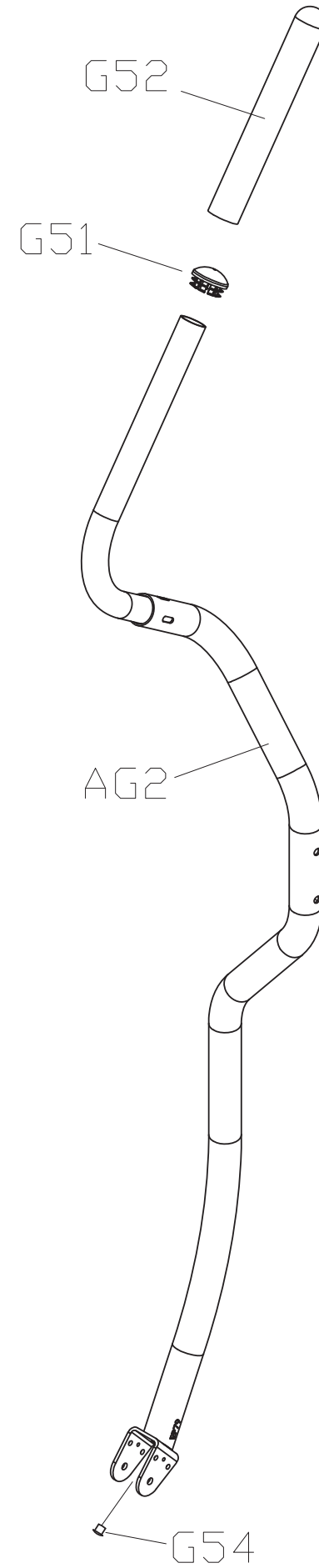
DRAWING NO 圖 號	EP79-AH13
PART NAME(CH) 零件名稱(中文)	左擺動臂組
PART NAME(EN) 零件名稱(英文)	LEFT ADJUSTMENT ARM SET
SAP PART NO SAP料號	0000093892  A



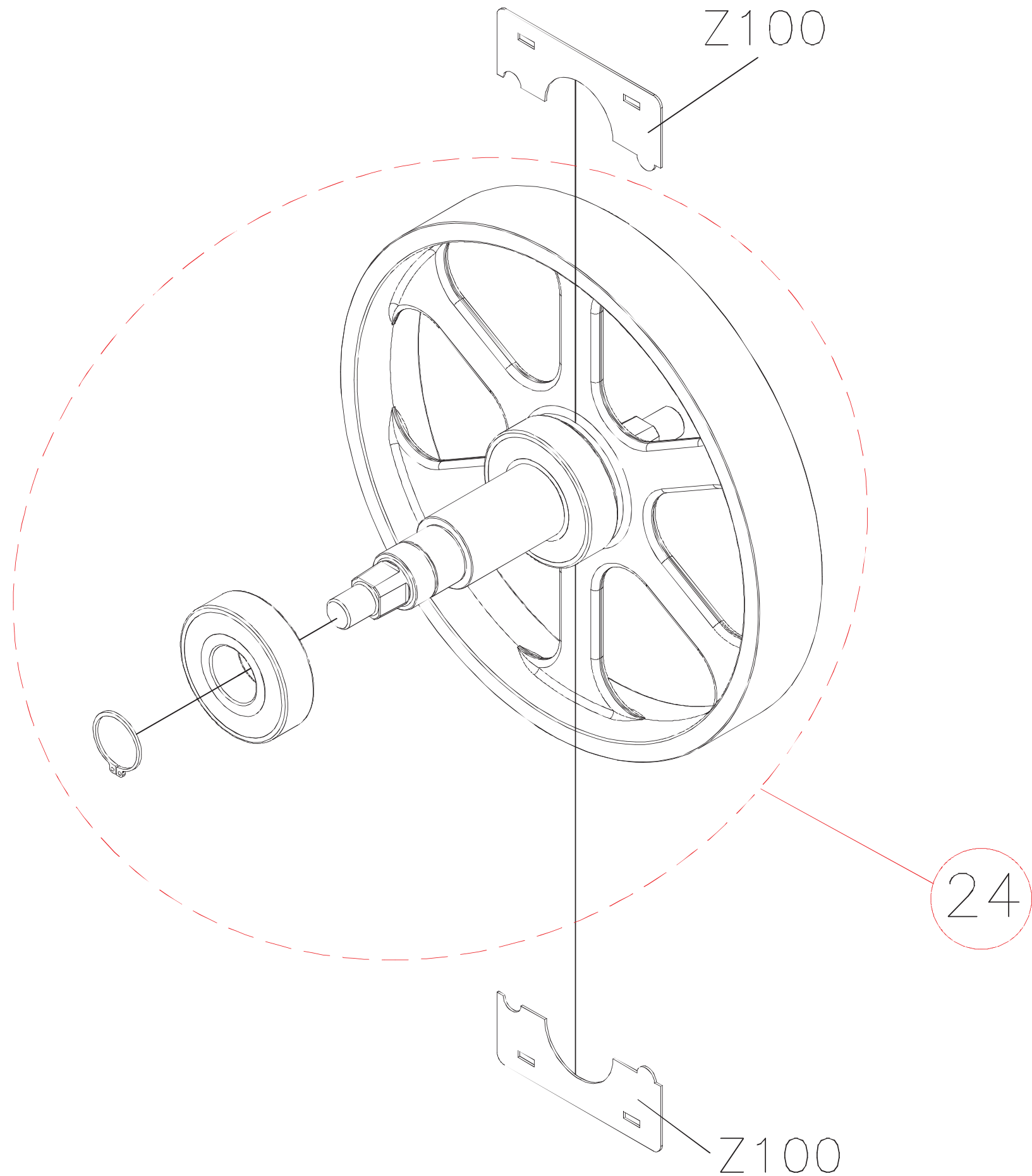
DRAWING NO	EP79-AG7		
PART NAME	RIGHT HANDLEBAR SET		
PART NO	0000094443 <sup>R</sup> / <sub>REV</sub> B		
APPROVE	Tsaijw	DATE	20110415



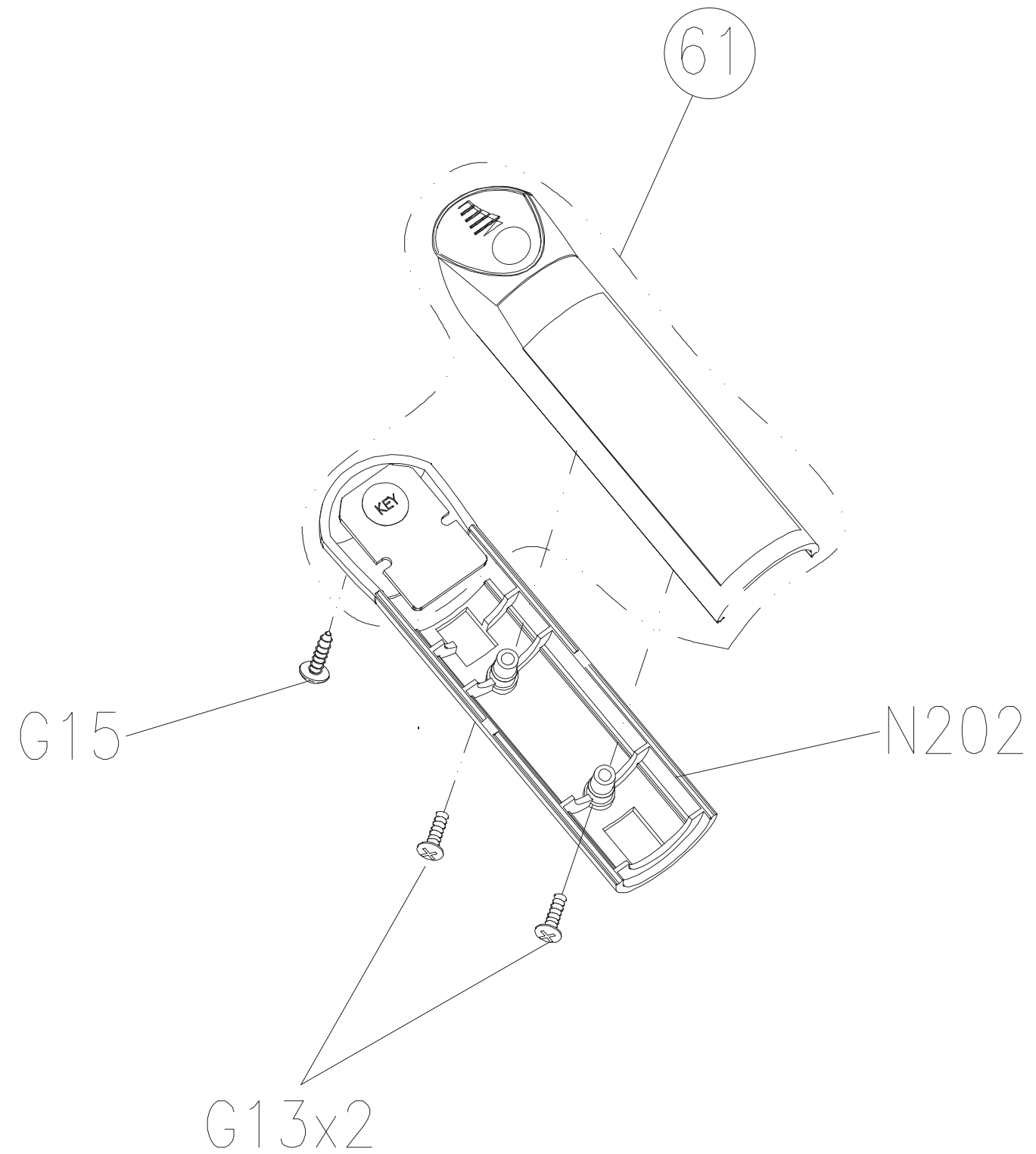
DRAWING NO	EP79-AG8		
PART NAME	LEFT HANDLEBAR SET		
PART NO	0000094444	REV	B
APPROVE	Tsaijw	DATE	20110415



DRAWING NO	EP79-AR100		
PART NAME	Transmission Set+Tools		
PART NO	1000339506 R/C		
APPROVE	S.T.C	DATE	20160217

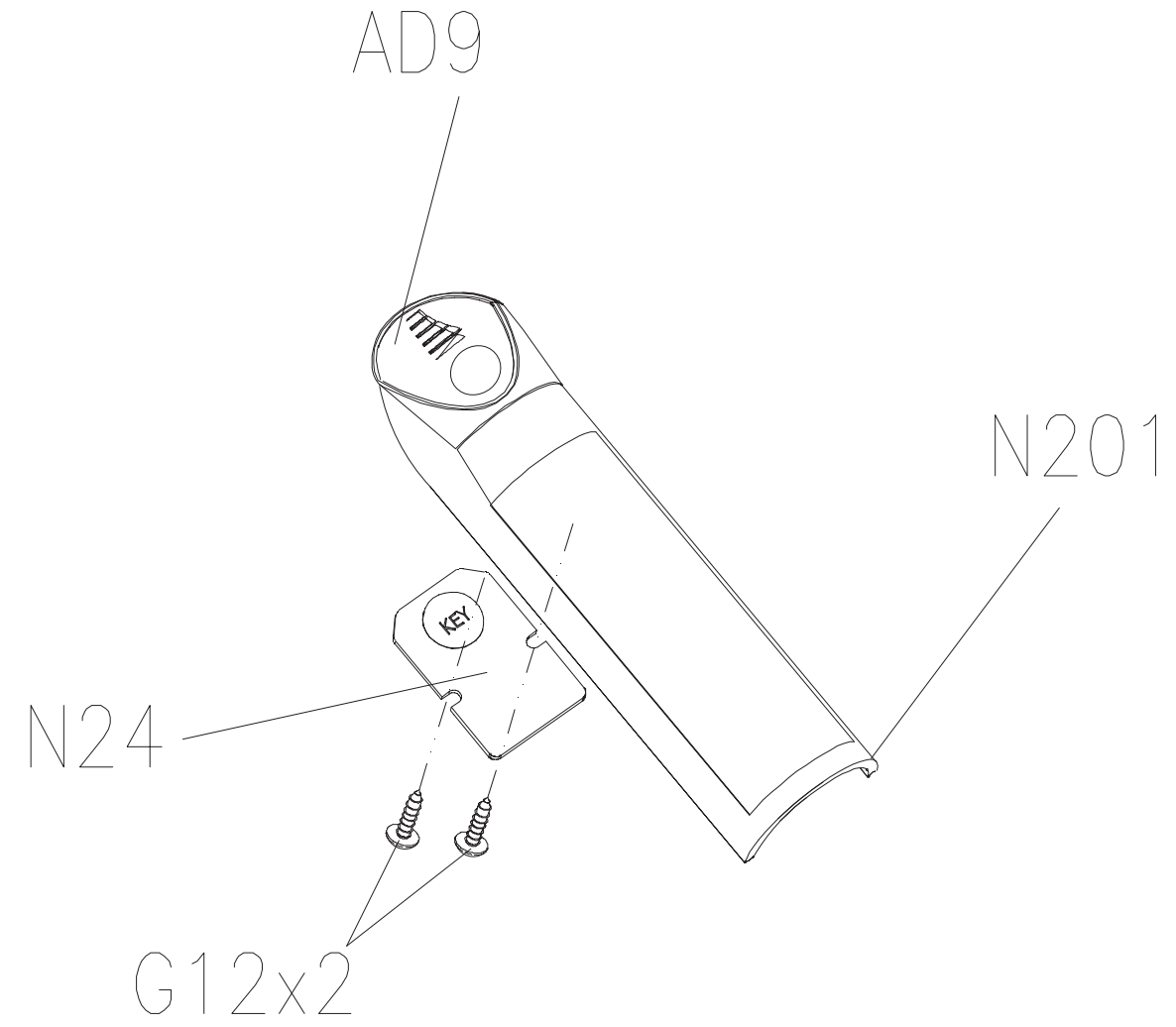


DRAWING NO	EP81-AN16		
PART NAME	HP GRIP SET;R		
PART NO	1000389784	REV	B
APPROVE	AMBER	DATE	20160427

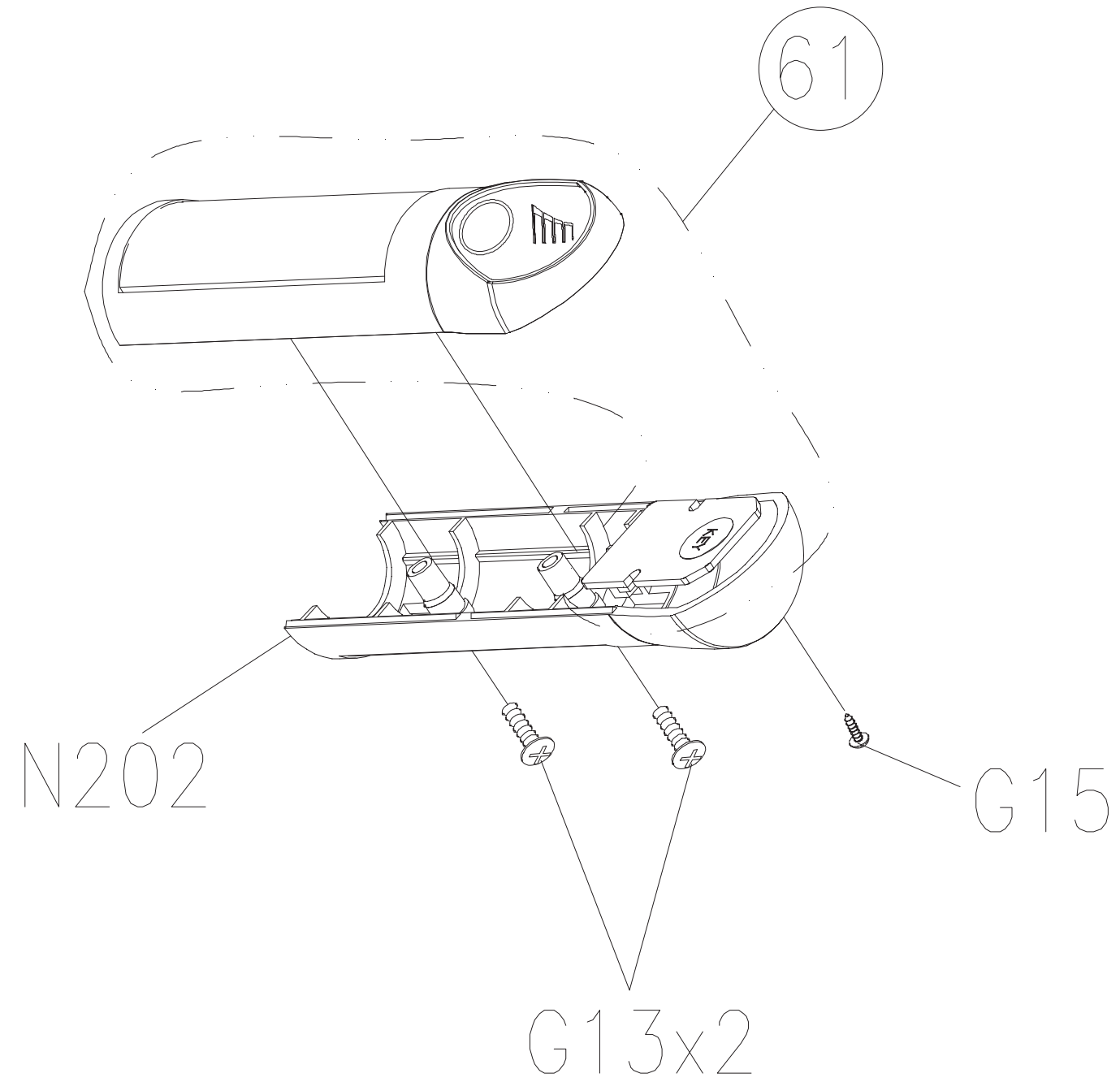




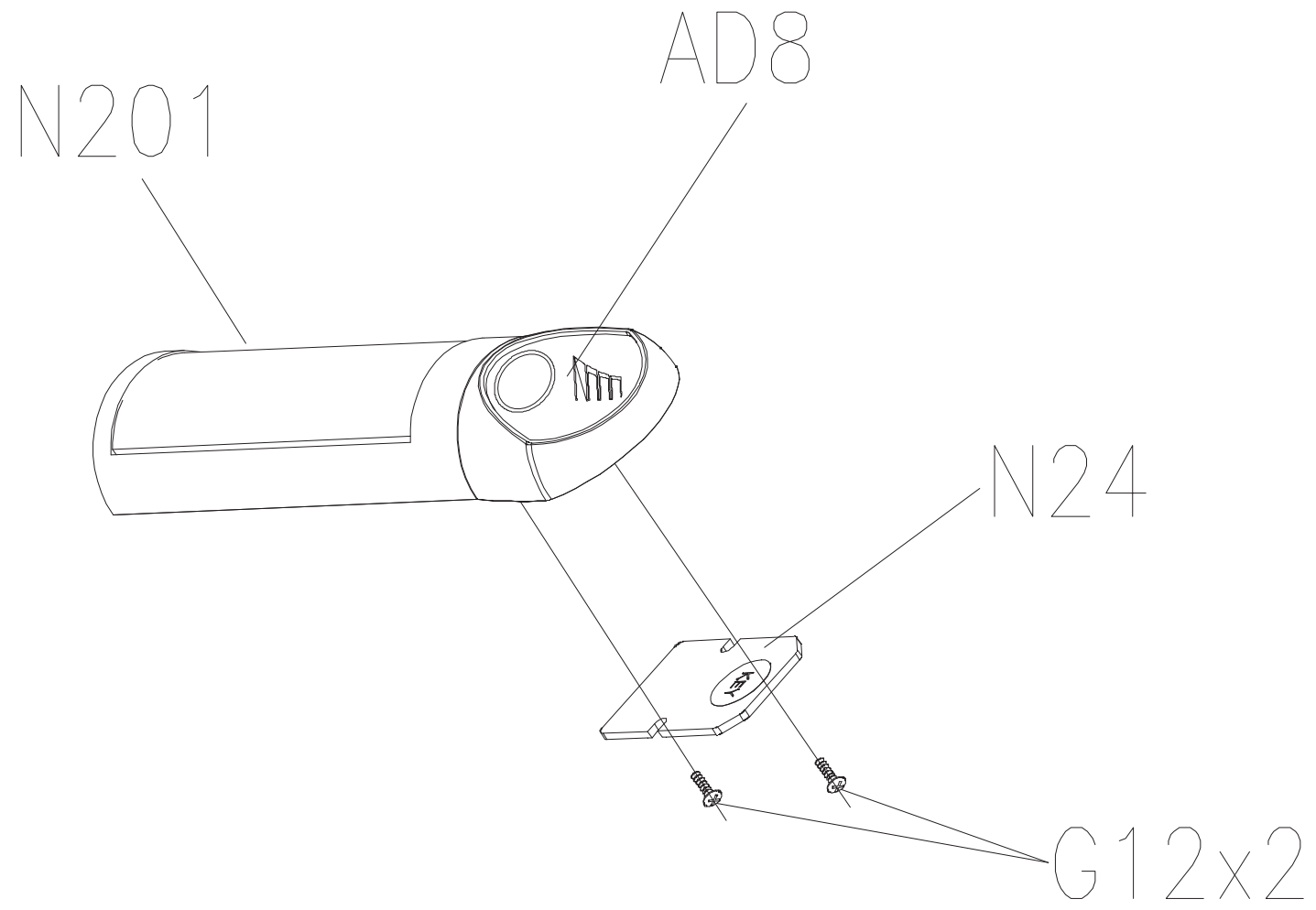
DRAWING NO	EP81-AN19		
PART NAME	HP GRIP SET;R		
PART NO	1000389789	REV	B
APPROVE	AMBER	DATE	20160427



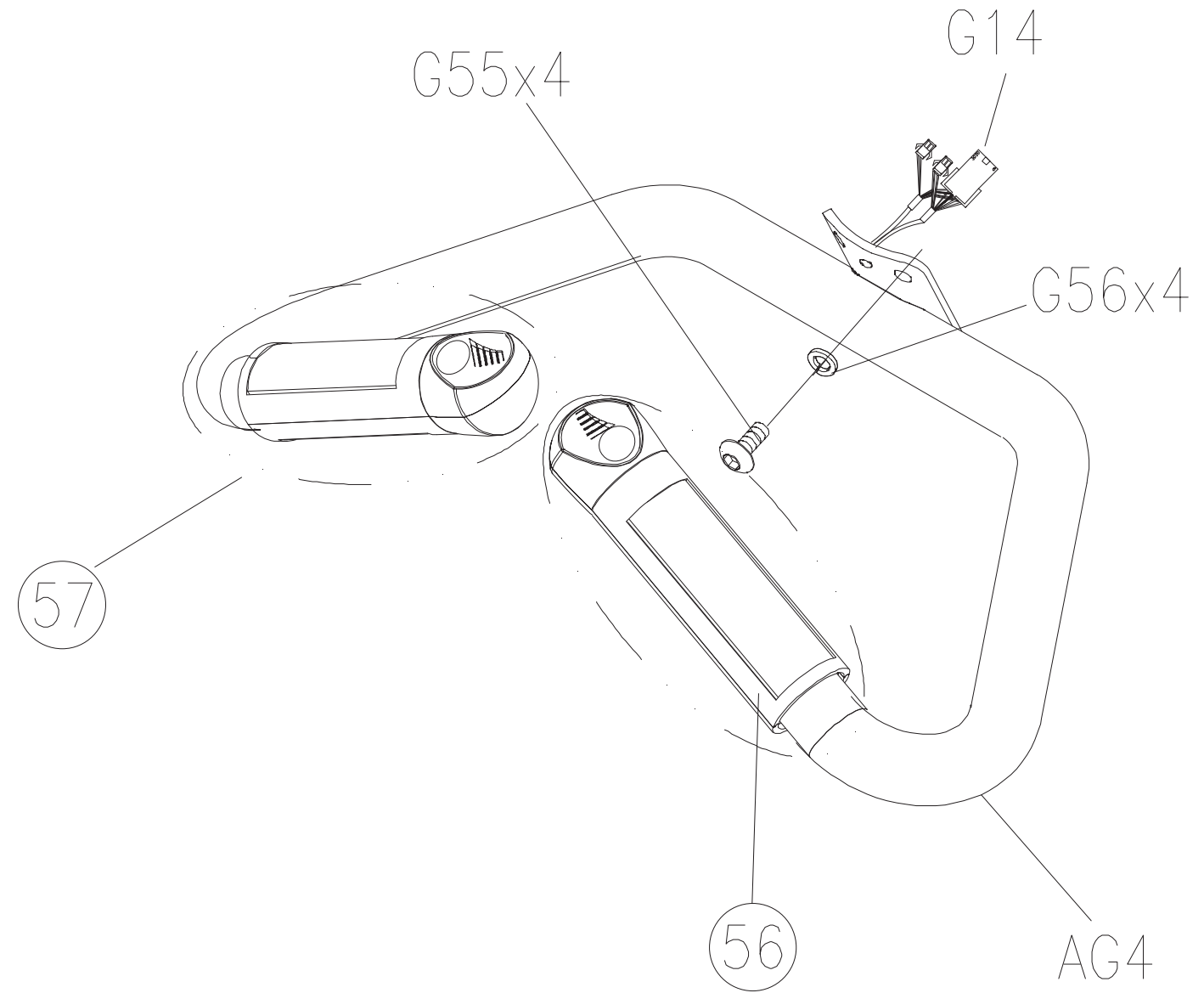
DRAWING NO	EP81-AN17		
PART NAME	HP GRIP SET;L		
PART NO	1000389832	REV	B
APPROVE	AMBER	DATE	20160427



DRAWING NO	EP81-AN20		
PART NAME	HP GRIP SET;L		
PART NO	1000389835	REV	B
APPROVE	AMBER	DATE	20160427



DRAWING NO	EP81-AG8		
PART NAME	FRONT HANDLEBAR SET		
PART NO	1000390684 <small>REV</small> B		
APPROVE	AMBER	DATE	20160512



Bubble#	Part #	Description	Notes
1	0000090655	Console Mast Set MX-A5X-F US EP84	
10	0000093890	Swing Arm Set Right A5X-03 US EP79	
11	0000093892	Swing Arm Set Left A5X-03 US EP79	
12	0000088071	Lower Pivot Arm Set Right MX-A5X-F US EP84	
13	0000088072	Lower Pivot Arm Set Left MX-A5X-F US EP84	
15	0000093050	Entertainment Port Set A5X-03 US EP79	
17	0000087828	Side Cover Set Left MX-E5XC-F US EP81	
18	0000087829	Side Cover Set Right MX-E5XC-F US EP81	
2	0000088090	Pedal Arm Set Right MX-A5X-F US EP84	
25	0000089635	Pulley Axle Set S70 US EP78	
41	0000092280	Round Disk A5X-03 US EP79	
42	0000092274	Crank Sleeve Set	Hardware not included
51	0000087749	Rotational Housing Assembly MX-E5XC-F US E	
7	1000390684	Arm Rest set front EP81	
8	0000088065	Link Arm Set Right MX-A5X-F US EP84	
9	0000088066	Link Arm Set Left MX-A5X-F US EP	
AB2	0000081698	Stabilizer Set Right	
AB3	0000081700	Stabilizer Ser Left	
AH11	062251-00	UPPER ADJUSTING ARM EP72-US	
AH4	062709-CA	Protected Pad Swivel Rack PU Black PU-Se	
AH9	0000088071	Lower Pivot Arm Set Right MX-A5X-F US EP84	
AJ5	0000093607	Velcro Location A5X-03 US EP79	
AJ6	0000093608	Velcro Location A5X-03 US EP79	
AT4	1000350493	Idler Set Integrated EP304	
B12	015642-AA	Connecting Tube Cover Black Roller Axle F SS41 EP23 \\ D/C - Part will show as orderable until stock is depleted.	
B19	003836-C	until stock is depleted.	
B20	000028-D	Transport Wheel Nylon 100 BL EP23	
B38	000490-BA	Leveler Foot Pad	Use for units produced before 2011
B38	000512-DB	Leveler Foot Pad No Swivel CB32	Use for units produced 2011 and after
B55	004375-00	Screw Phillip BH M5x0.8Px15L Gap Zn-BL	
B56	065746-AA	Front Right Decorative Cover EP72-US	
B57	0000081322	Rear frame logo plate LH	

B58	0000086513	Screw Hex Socket Round M10x1.5Px40L
B80	004980-A	Insert Nut Hex NHS-580-3.0(M5X0.8P)
B81	0000093376	Screw Hex Socket M8X15 Zn-BL
B82	004967-AB	Nut Hex Flange M16x1.5P Carburizing
B83	005245-A	Washer Lock 16.2x31.5x1.5T
B84	018653-A	Screw SH M8X1.25PX22.5L-8L CRMO BAN
B86	004978-00	Insert Nut Hex NHS-1015-4.0(M10x1.5P)
B89	1000372129	Screw Button Head M5x0.8Px15L Phillip S
B90	0000093382	Screw Hex Socket Round M8x1.25Px20.0L Ad
B91	020425-00	Washer Flat 8.4x15.5x1.6T
B93	0000089455	Leveler Foot pad Rubber EP72-B93
B94	005028-00	Washer Flat 20.2x35.0x2.0T Black Zinc
B96	001595-A	BUSHING KSS MOVEABLE KG-020 10M/REEL
C06	008042-F	Connecting Plate Console Mast
C08	004979-00	Insert Nut Hex NHS-8125-3.0(M8x1.25P)
C11	0000088923	Bottle Holder Set Console Mast ABS/PA746 BL
C14	005367-00	C-Clip External S-30
C15	004493-00	Screw Hex Socket Round M8x1.25Px16L
E14	0000081718	Crank Sleeve Axle S45C EP72-E14C
E16	0000089475	Ring SS41 25.1x44.65 EP72
E45	005032-00	Washer Flat 20.2x35.0x1.0T Black Zinc
E46	005229-00	Washer Wavy 20.5x29.0x1.5T Nylon
E47	004103-00	Needle Bearing HK2020
E50	004080-A2	BEARING BALL 6203ZZ #17X#40X12T TPI
E52	004078-A2	Ball Bearing 6005ZZ Z25XZ47X12T TPI
E53	0000089822	Screw Hex Socket Round M10x1.5Px100L
E54	004885-00	Nut Hex M10x1.5P
E55	070073	Washer Flat M10.5X25.0PX1.5T BZN
E58	005220-00	Washer Wavy 20.7x29.1x.3T
E61	005025-00	Washer Flat 25.5x38.0x1.5t Black Zinc
E62	004957-00	Nut Lock M25X1.5P SS41 BAN
E63	004724-00	Bolt M8x1.25Px15L
E64	071237	O Type Ring 30.0x35.0x2.5t
G08	015609-AB	End Cap Swivel Base

G12	004647-00	Screw Phillip Round 3x12L
G13	084533	Screw Phillip Round M3x0.5Px30L Zn-BL
G14	0000088382	Pulse Sensor Wire 800L(TKP H66030R1-06)
G15	0000082875	Screw BH M3X0.5PX20L PH BZN
G50	005355-00	C-Clip Internal R-55
G51	009589-A	End Cap Handlebar Steel
G52	000661-B	Foam Grip Arm Rest 31x3tx483L BL JHT
G53	004079-A3	Ball Bearing 6006ZZ 30X55X13T TPI
G54	000856-00	Hole plug KSS HP-10 BL Market
G55	004539-AC	Screw Round Hex Socket M8X1.25PX25L
G56	005005-00	Washer Spring Lock 8.2x15.4x2.0t
G58	003716-00	Washer WW 30.2X39.2X0.3T
H29	071105	Ring SS41 EP72-H29B
H37	062256-B	Ring 1 STK41(Zn Plate) EP72-H37
H38	062257-A	Screw M10X1.5PX14L HS CRMO SP
H39	062258-B	Ring 2 STK41(Zn Plate) EP72-H39
H40	062259-A	Adjusting Arm Axle 1 S45C EP72-H40
H41	062260-A	Adjusting Arm Axle 2 S45C EP72-H41
H47	0000081719	Snug Bushing S45C(Zn Plate) EP72-H47A
H48	0000081720	Snug Bushing Fix Plate S45C(BED)
H49	0000081721	Screw Hex Socket Round M8x1.25Px110L Adh
H50	004477-00	Screw Hex Socket Round M8x1.25Px10L
H51	004911-00	Nut Hex M16x2.0Px7.0L Zn Pl
H52	1000213710	BEARING SRE 2201-2RS M16X2.0PX91L EP84-H
H53	004980-A	Insert Nut Hex NHS-580-3.0(M5X0.8P)
H61	062233-00	Bearing Needle 8505LLU Huei Yuan
H62	062261-C	Axle Fix Ring 1 SS41 EP72-H62
H64	062710-00	Pin Spring SSPR5-12L
H65	0000086517	Screw Round Hex Socket M10x1.5Px25L
H66	067369-BA	End Cover EP72-H66B
H71	004522-AC	Screw SH M10X1.5PX25L HS BP
H74	020641-00	Clip Internal C-Shaped R-52
H75	0000093891	Bearing Tapered Roller 2205-2RS/PEER
J07	005487-D	Spring Compress

J10	0000094396	Fix Plate Disc BL A5X-03 US EP7	
J29b	008866-A	Screw Special Round 4.0x1.34Px12L(Hi-Lo	For round disk set
J30	004967-AB	Nut Hex Flange M16x1.5P Carburizing	
J31	005245-A	Washer Lock 16.2x31.5x1.5T	
J33	004706-A	Screw TH M6X1.0PX16L HS BZN	
J35	0000089835	Washer Ribbed lock 8.5x12.8x0.8tx1.3h	
J36	004493-00	Screw Hex Socket Round M8x1.25Px16L	
J51	004364-00	Screw Oval Head M5x0.8Px12L	
JM16	1000215492	Elevation Motor Set 400LB,1/9HP DC12V	
N24	0000090779	Control Board Quick Key	
Not Shown	1000390684	Arm Rest set front EP81	Kit 7, Q16, B55 (x2)
Not Shown	0000094424	POWER CORD SET POWER CORD+Warning Sticke	12' NEMA.
Not Shown	0000087676	Assembly Manual MX-E5XC-F	
		Daisy Chain / TV Power Wire Set EP72-US - D/C, NO REPL	
Not Shown	0000080717	Part will show as orderable until stock is depleted	
Not Shown	002782-C	Power Cord External(USA) 3000,14AWG 110V(non-nema)	12' Non-NEMA.
Not Shown	0000093092	Crank Cover Set PP BL MX-E5XC-F US EP81	Q10 and Q53
Not Shown	0000090660	Rear Side Cover Set Right MX-A5X-F US EP	Q31, Q32, and associated hardware
Not Shown	0000090661	Rear Side Cover Set Left MX-A5X-F US EP8	Q33, Q34, and associated hardware
Not Shown	0000090668	Stabilizer Set Right MX-A5X-F US EP84	AB2, B38, B91 (x4), Z02 (x4))
Not Shown	0000090669	Stabilizer Set Left MX-A5X-F US EP84	AB3, B38, B91 (x4), Z02 (x4))
Not Shown	0000093137	Anti Sweat Cover Set MX-A5X-F US EP84	Q35, Q53 (x4)
Not Shown	0000088060	Dual Action Handlebar Set Right MX-A5X-F US EP84	Kit 5, Q13, Z07, Z06, Z05, Q14, Z03 (x3), G08, Z04 (x2)
Not Shown	0000088061	Dual Action Handlebar Set Left MX-A5X-F US EP84	Kit 6, Q13, Z07, Z06, Z05, Q14, Z03 (x3), G08, Z04 (x2)
Not Shown	0000093136	Leveler Set Foot Pad	B93, B94
Not Shown	0000090665	Hardware Package Set(1) MX-A5X-F US	Accessory Part
		Console Cable Digital Comm Wire 1350L 22AWG bR<P6.3KG	
P01	0000087664	M	
P02	063035-A	Elevation Motor Wire 1760 MOLEX(050-84-2062) EP	



P04	0000086264	Ground Wire Console Pulse Extended 220(5.0 OT+KST M
P05	065248-A	TV Coax Adaptor Female F-A028-NBX7-C
P06	0000093051	TV Cable Wire Lower 1650(FM-0086-NBG7)X
P10	0000093218	ECB Wire 850L(3.96-5 SWING HOOK)(WH)VH+
P11	0000092203	Filter Ground Wire 150L(KST,FLDNY2-250+KST,
P20	003383-A	Ferrite Choke FH0900B-2 Lian Ci TM38
P22	069859	Filter Board
P24	0000093217	Power Wire 900L(JST FDFNYD1-250-1)X4 A5 Power Electric Resistance Contain Wire 4 400W10,650(3.96-
P26	003553-D	4P WH
P27	0000084267	Battery Sealed Lead Acid WP12-12 S7700 U
P28	0000084264	Battery Wire 330(FDFNYD1-250-1X2+H10M1R-
P29	000880-B	Rubber Pad Motor Anti-Shake
P31	0000092949	Screw SS41 BED A5X-03 US EP79
P32	062621-A	Nut Wing 1/4-20UNC SS41 BZN
P33	005811-00	Cable Tie Nylon Black 160L
P34	066346-A	Cable Clamp PC-0914 KSS
P40	0000094397	Battery Fixing Plate BL A5X-03
P41	0000094433	Insulation Plate PC 75X60MM A5x-03 US EP
P42	0000081555	Screw BH M5X0.8PX12L CT PH BAN
P43	004384-00	Screw Phillip BH M5x0.8Px30L Ni Gap
P44	004889-00	Nut Hex M5x0.8P Nickel
P45	005177-00	Washer Tooth 5.3X10.0X0.6T BAN
P47	004627-00	Screw Phillip BH Tapped 5x12L
P53	000859-00	Hole Plug Nylon66 HP-8 Black
P54	004370-00	Screw Phillip BH M5x0.8Px10L Zn-BL
P55	066413-B	Anti-Sweat Cover ECB
P56	004450-00	Screw Hex Socket Round M5x0.8Px6L Zn-BL
P61	0000093219	Jacket PVC A5X-03-F US EP79
P65	069904	Ferrite Cord FH0650B CB32-P16A
Q03	000220-CA	Boot Console Mast
Q04	062264-AA	Pedal Left PA-746 Black EP72
Q10	001150-CA	Boot Crank

Q11	000330-CA	Boot Link Arm Right
Q12	000331-CA	Boot Link Arm Left
Q13	000249-DA	Boot Arm Rest Left
Q14	000250-DA	Boot Arm Rest Right
Q15	000251-DA	Boot Swivel Axle
Q16	000252-CA	Cover Handlebar
Q19	061494-AA	E-PORT Fix Plate ABS PA-746(BL)
Q26	001681-A	Fix Pillar PP TM81
Q27	0000092174	Disc Cap ABS PA746 BL A5X-03 US EP79
Q28a	065383-AA	Pedal Cap NY(BL) EP76-Q28
Q28b	0000094143	Crank Cover Right Round Disk
Q29	007970-B	Connecting Plate Side Cover 2 Hole
Q31	062266-AA	R R R COVER ABS PA-746 CN/GY96374+UV EP7
Q32	062267-AA	R R L COVER ABS PA-746 CN/GY96374+UV EP7
Q36	062271-AA	Pivot Arm Lower Cover Outside PA-746(BL) EP72-Q36A
Q37	062272-AA	Pivot Arm Lower Cover Inside PA-746(BL) EP72-Q37A
Q39	062274-AA	Foot Pad Black EP72\\ D/C, NO REPL: Part will show as orderable until stock is depleted.
Q40	0000080941	Swing Arm Cover
Q41	066181-BA	Rear Cover Trim Right Rubber NBR(BL) EP72-Q41B
Q42	066182-BA	Rear Cover Trim Left Rubber NBR(BL) EP72-Q41B
Q43	065384-BA	Link Arm Cap PP(Black) EP72
Q44	061489-AA	Pedal Pad Rubber(Black) EP76
Q45	038449-A	Clip Tapped Hole FE M5 YZN
Q51	005140-A	Washer Flat 5.5x10.0x1.2T Black Zinc
Q52	004615-00	Screw Umbrella Cross Tapped 4x10L
Q53	1000372129	Screw Button Head M5x0.8Px15L Phillip S
Q54	065956-AC	Screw Oval M5X0.8PX15L PH SSTSUS304 BAN
Q56	004451-AD	Screw Round Hex Socket M5x0.8Px20L
R02	0000089637	Pulley Poly-V FC25 J8198 S70
R04	0000090466	Bearing Ball 6206LUZ(CN) 30X62X16T TP
R05	005366-00	C-Clip External S-25
R08	0000092813	Bearing Ball 6306LUZ(C3) TPI

R11	0000094297	Drive Belt Poly-V 460-J16 FGD Carlisle	
R15	005357-00	C-Clip Internal R-62	
R16	004991-00	Key Round Dual-End 6X6X20L	
R17	005367-00	C-Clip External S-30	
R19	005121-00	Washer Flat 30.3X45.0X1.2T SPGC	
R48	004961-A	Nut Hex M30x1.5Px8T	
S01	012819-00	Generator 210 CE EP MX/600SERIES400W J	
S03	1000217256	Lower Control Board Generator - H001 S001 EP30	
S47	005075-00	Washer Flat 6.2X16X2.0T Black Zinc	
S48	007768-D	Fix Plate Eye Bolt	
S49	004933-00	Nut Nylon 1/4'-20UNC BED	
S50	024335-A	Bolt Eye Hook 1/4'-20UNCx80L Zn-BL	
S52	004454-00	Screw Round Hex Socket M5X0.8PX15L	
S53	005078-00	Washer Flat 5.3x10x1.0T Black Zinc	
S54	1000227226	Washer Flat ?X10.5x?X25.0x1.0T Nylon+S2M	
S55	004592-00	Screw Hex 3/8-16UNCx45L/Tooth15L	
S56	004934-00	Nut Nylon 3/8'-16UNC	
S58	004400-00	Screw Phillip BH M5x0.8Px6L Black Zn-BL	
S61	005067-00	Washer Flat 10.2X15.0X1.5T Black Zinc	
S62	004899-00	Nut Hex 3/8-26UNCX9T	
S63	0000089835	Washer Ribbed lock 8.5x12.8x0.8tx1.3h	
V07	027982-B	Decal Side Cover EP68-US EP68	
V18	006541-A	DECAL HANDLEBAR RIGHT RED WORD/WHITE BAS	
Z02	0000093382	Screw Hex Socket Round M8x1.25Px20.0L Ad	
Z03	004370-00	Screw Phillip BH M5x0.8Px10L Zn-BL	
Z05	004488-AC	Screw Hex Socket Round M8x1.25Px55L	
61	1000389789	Hand Pulse Set Quickly Key right EP81	Right
61	1000389835	Hand Pulse Set Quickly Key left EP81	Left
AC1	0000087640	PAINTING CONSOLE MAST SET MX-E5XC-F	
AD8	1000389838	Overlay Set Quick Key left EP81	
AD9	1000389792	Overlay Set Quick Key right EP81	
AE1	062185-00	R PEDAL ARM WELDING PICTURE EP72-US	
AE2	062191-00	L PEDAL ARM WELDING PICTURE EP72-US	
AG1	0000092267	PINTING R ARM REST MATRIX SL+TRANS A5X-0	

AG2	0000092269	PINTING L ARM REST MATRIX SL+TRANS A5X-0	
AH1	062205-00	R LINK ARM SET WELDING(PAINTING) EP72-US	
AH10	062244-00	L D ADJ ARM WELDING(PAINTING) EP72-US	
AH2	062212-00	L LINK ARM SET WELDING(PAINTING) EP72-US	
AH7	062216-00	R SWING ARM SET WELDING(PAINTING)	
AH8	062226-00	L SWING ARM SET WELDING(PAINTING)	
AJ4	1000224907	Extrawork CRANK SET BED A5X-03 US EP79	
AR7	0000093497	PULLEY SET A5X-03 US EP79	
E15	1000302968	Crank Sleeve - MX-A5x-F - BAN AISI 1018	
E42	008136-A	CON PLATE PEDAL BED SPHC 4.0T EP68	
G07	015608-AB	PAINTING SWIVEL BASE SL/GY TWO COAT&PAIN	
J29a	020332-00	SCREW TRHW F4X12L TC PH BAN POT	For crank arm
N201	0000090548	GRIP SENSOR U ABS/PA746 BL I5X	
N202	0000090549	GRIP Sensor down ABS/PA746 BL EP76	
P35	069903	SPIRAL WRAPPING BAND KS-19 WH 10??/?	
P57	068010-A	Moveable Bushing Free shape KSS ED-012	
Q01	000102-GA	COVER FRAME L ABS PA-746 CN/GY96374+UV	
Q02	000153-HA	COVER FRAME R ABS PA-746 CN/GY96374+UV	
Q25	0000092273	PAINTING DISC SL/GY A5X-03 US EP79	Order kit 41 instead.
Q33	062268-AA	L R R COVER ABS PA-746 CN/GY96374+UV EP7	
Q34	062269-AA	L R L COVER ABS PA-746 CN/GY96374+UV EP7	
Q35	062270-AA	ANTI-SWEAT COVER ABS PA-746 96374+UV EP7	
R01	0000092170	CRANK KNUCKLE SCM440 A5X-03 US EP79	
R03	0000092113	Pulley Flat FC25 F282 S70	
R12	0000089636	Main Axle Pully S45C Anti-rust oil coat	
S60	0000093099	TAPE WRAPPING KS-10N6 BL 10M/ROL	
V19	006540-A	Decal Arm Rest 20MM Red Word/White Base	
		Transmission set+Tools A5X-03-F-SBOM \\ D/C, NO REPL:	
24	1000339506	Part will show as orderable until stock is depleted.	Discontinued
25	0000092277	Pulley Axle Set A5X-03 US EP79	Discontinued
		Pedal Arm Set Left MX-A5X-F US EP84\\ D/C, NO REPL: Part	
3	0000088091	will show as orderable until stock is depleted.	Discontinued

4	0000088073	Upper Elevation Arm Set Left or Right MX-A5X-F US EP84	Discontinued
40	0000092271	Crank Set A5X-03 US EP79 - D/C, NO REPL Part will show as orderable until stock is depleted	Discontinued
5	0000094443	RIGHT HANDLEBAR SET A5X-03 US EP79\\ D/C, NO REPL: Part will show as orderable until stock is depleted.	Discontinued
56	1000389784	Hand Pulse Set Quickly Key right EP81 \\ D/C, NO REPL: Part will show as orderable until stock is depleted.	Discontinued
57	1000389832	Hand Pulse Set Quickly Key left EP81 - D/C, NO REPL Part will show as orderable until stock is depleted	Discontinued
6	0000094444	LEFT HANDLEBAR SET A5X-03 US EP79\\ D/C, NO REPL: Part will show as orderable until stock is depleted.	Discontinued
AG4	036368-BA	Middle Handlebar - D/C, NO REPL Part will show as orderable until stock is depleted	Discontinued
AH9	062237-00	R D ADJ ARM WELDING(PAINTING) EP72-US	Discontinued
B52	072165	Rear Logoed Cover EP72-US EP72-B52	Discontinued
B57	065747-AA	Front Left Decorate Cover(Painting) EP72-US	Discontinued
Not Shown	002787-C	Power Cord External(USA) 3000,14AWG 110V(nema)	Discontinued - 12' NEMA.
Not Shown	061769-B	Power Cord NEMA 15 feet 90 DEGREE\\ D/C, See POWER CORD CHEAT SHEET for notes on replacement	Discontinued - 15 NEMA power cord, 90 degrees at the wall.
Not Shown	0000087732	Handlebar Set	Discontinued - Kit 7, Q16, B55 (x2)
P03	001597-A	GROMMET NYLON WHT	Discontinued
P09	0000093619	Power Switch Set 200(KST FDFNYD1-250-1)X - D/C, NO REPL Part will show as orderable until stock is depleted	Discontinued
P33	005815-00	Cable Tie Nylon 160 BL KSS CV-160L	Discontinued
Q05	062265-AA	Pedal Right PA-746 Black EP72\\ D/C, NO REPL: Part will show as orderable until stock is depleted.	Discontinued
R09	018617-A	Drive Belt POLY-V 370-J8 - D/C, NO REPL Part will show as orderable until stock is depleted	Discontinued
R18	004990-00	Key Round Dual End 6X6X16L - D/C, NO REPL Part will show as orderable until stock is depleted	Discontinued

S01	012819-00	Generator 210 CE EP MX/600SERIES400W J	Discontinued
S01	0000089783	Generator Set	Discontinued